

CRNQ-0500-TFD

HCFC, R-22, 50 Hz, 3 - Phase, 380/420 V
Air Conditioning



Production Status: Restricted sale - Contact your Copeland Representative.

Performance

<u>Evap(°C)/Cond(°C)</u>	<u>7.2/54.4</u>	<u>7.2/37.8</u>
<u>RG(°C)/Liq(°C)</u>	<u>18.3/46.1</u>	<u>18.3/29.4</u>
Capacity (Watts):	15000	19300
Power (Watts):	5000	4130
Current (Amps):	8.6	7.1
EER (COP):	2.99	4.66
Mass Flow (g/s):	95	107
Sound Power (dBA):	78 Ave 83 Max	
Vibration (mm(peak-peak)):	0.076 Ave 0.102 Max	

Mechanical

Number of Cylinders: 2	CIR (cm ³ /Rev):	0.102
Bore Size (mm): 49.784	CFH (cm ³ /hr):	17738.98
Stroke(mm): 26.187		
Overall Length (mm): 289.052	Mounting Length (mm):	190.5
Overall Width (mm): 238.125	Mounting Width (mm):	190.5
Overall Height (mm): 409.702	Mounting Height (mm):	419.1
Suction Size (in):	7/8 Stub	
Discharge Size (in):	1/2 Stub	
Initial Oil Charge (liters):	2.07	
Oil Recharge (liters):	1.952	
Net Weight (kg):	41.277	

Electrical

RLA:	9.6	MCC (Amps):	13.5	UL File No.:	SA-2337
LRA-Low:		RPM:		UL File Date:	28-Dec-1984
LRA-High:	65.0	Max Operating Current:		CSA File No.:	LR3104C
LRA-Half Winding:					

Alternate Applications

<u>Refrigerant</u>	<u>Frequency (Hz)</u>	<u>Phase</u>	<u>Voltage</u>	<u>Application</u>
R-22 HCFC	60	3	380/460	Air Conditioning

CRNQ-0500-TFD

HCFC, R-22, 50 Hz, 3 - Phase, 380/420 V

Air Conditioning

Production Status: Restricted sale - Contact your Copeland Representative.



Performance

<u>Evap(°F)/Cond(°F)</u>	<u>45/130</u>	<u>45/100</u>
<u>RG(°F)/Liq(°F)</u>	<u>65/115</u>	<u>65/85</u>
Capacity (Btu/hr):	51200	65800
Power (Watts):	5000	4130
Current (Amps):	8.6	7.1
EER (Btu/Wh):	10.2	15.9
Mass Flow (lbs/hr):	755	850
Sound Power (dBA):	78.0 Ave	83.0 Max
Vibration (mils(peak-peak)):	3.0 Ave	4.0 Max

Mechanical

Number of Cylinders:	2	CIR (in ³ /Rev):	6.221
Bore Size (in):	1.96	CFH (ft ³ /hr):	626.4464
Stroke(in):	1.031		
Overall Length (in):	11.38	Mounting Length (in):	7.5
Overall Width (in):	9.375	Mounting Width (in):	7.5
Overall Height (in):	16.13	Mounting Height (in):	16.5
Suction Size (in):		7/8 Stub	
Discharge Size (in):		1/2 Stub	
Initial Oil Charge (oz):		70	
Oil Recharge (oz):		66	
Net Weight (lbs):		91.0	

Electrical

RLA:	9.6	MCC (Amps):	13.5	UL File No.:	SA-2337
LRA-Low:		RPM:		UL File Date:	28-Dec-1984
LRA-High:	65.0	Max Operating Current:		CSA File No.:	LR3104C
LRA-Half Winding:					

Alternate Applications

<u>Refrigerant</u>	<u>Frequency (Hz)</u>	<u>Phase</u>	<u>Voltage</u>	<u>Application</u>
R-22 HCFC	60	3	380/460	Air Conditioning

CRNQ-0500-TFD

HCFC, R-22, 60 Hz, 3 - Phase, 380/460 V

Air Conditioning

Production Status: Restricted sale - Contact your Copeland Representative.



Performance

<u>Evap(°F)/Cond(°F)</u>	<u>45/130</u>	<u>45/100</u>
<u>RG(°F)/Liq(°F)</u>	<u>65/115</u>	<u>65/85</u>
Capacity (Btu/hr):	61500	77200
Power (Watts):	6200	4870
Current (Amps):	9	7.6
EER (Btu/Wh):	9.9	15.9
Mass Flow (lbs/hr):	905	995
Sound Power (dBA):	80.0 Ave	85.0 Max
Vibration (mils(peak-peak)):	2.4 Ave	3.4 Max

Mechanical

Number of Cylinders:	2	CIR (in ³ /Rev):	6.221
Bore Size (in):	1.96	CFH (ft ³ /hr):	756.0560
Stroke(in):	1.031		
Overall Length (in):	11.38	Mounting Length (in):	7.5
Overall Width (in):	9.375	Mounting Width (in):	7.5
Overall Height (in):	16.13	Mounting Height (in):	16.5
Suction Size (in):	7/8	Stub	
Discharge Size (in):	1/2	Stub	
Initial Oil Charge (oz):	70		
Oil Recharge (oz):	66		
Net Weight (lbs):	91.0		

Electrical

RLA:	9.6	MCC (Amps):	13.5	UL File No.:	SA-2337
LRA-Low:		RPM:		UL File Date:	28-Dec-1984
LRA-High:	65.0	Max Operating Current:		CSA File No.:	LR3104C
LRA-Half Winding:					

Alternate Applications

<u>Refrigerant</u>	<u>Frequency (Hz)</u>	<u>Phase</u>	<u>Voltage</u>	<u>Application</u>
R-22 HCFC	50	3	380/420	Air Conditioning

CRNQ-0500-TFD

HCFC, R-22, 60 Hz, 3 - Phase, 380/460 V
Air Conditioning



Production Status: Restricted sale - Contact your Copeland Representative.

Performance

<u>Evap(°C)/Cond(°C)</u>	<u>7.2/54.4</u>	<u>7.2/37.8</u>
<u>RG(°C)/Liq(°C)</u>	<u>18.3/46.1</u>	<u>18.3/29.4</u>
Capacity (Watts):	18000	22600
Power (Watts):	6200	4870
Current (Amps):	9	7.6
EER (COP):	2.9	4.66
Mass Flow (g/s):	114	125
Sound Power (dBA):	80 Ave 85 Max	
Vibration (mm(peak-peak)):	0.061 Ave 0.086 Max	

Mechanical

Number of Cylinders: 2	CIR (cm ³ /Rev):	0.102
Bore Size (mm): 49.784	CFH (cm ³ /hr):	21409.12
Stroke(mm): 26.187		
Overall Length (mm): 289.052	Mounting Length (mm):	190.5
Overall Width (mm): 238.125	Mounting Width (mm):	190.5
Overall Height (mm): 409.702	Mounting Height (mm):	419.1
Suction Size (in):	7/8 Stub	
Discharge Size (in):	1/2 Stub	
Initial Oil Charge (liters):	2.07	
Oil Recharge (liters):	1.952	
Net Weight (kg):	41.277	

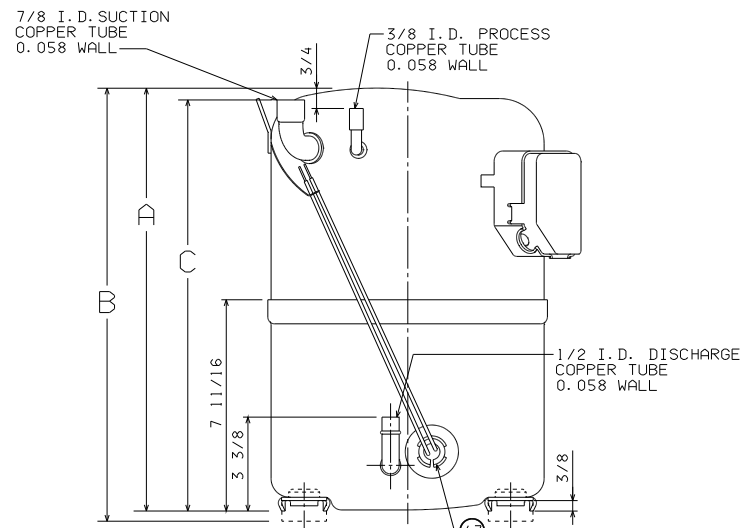
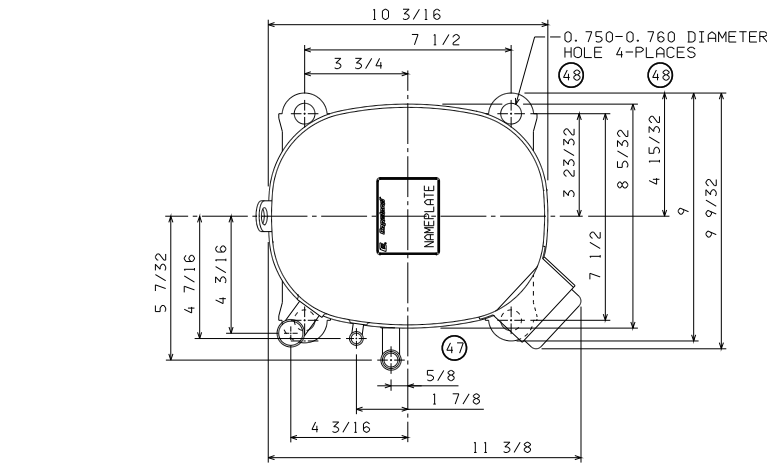
Electrical

RLA:	9.6	MCC (Amps):	13.5	UL File No.:	SA-2337
LRA-Low:		RPM:		UL File Date:	28-Dec-1984
LRA-High:	65.0	Max Operating Current:		CSA File No.:	LR3104C
LRA-Half Winding:					

Alternate Applications

<u>Refrigerant</u>	<u>Frequency (Hz)</u>	<u>Phase</u>	<u>Voltage</u>	<u>Application</u>
R-22 HCFC	50	3	380/420	Air Conditioning

MODEL NO.	A	B	C
CRN1-0500-TF5	16 1/8	16 1/2	15 11/16
CRN1-0500-TFD	16 1/8	16 1/2	15 11/16
CRP5-0450-PFV	15 7/8	16 1/4	15 1/2
CRP5-0450-TFD	15 7/8	16 1/4	15 1/2
CRP5-0450-TFE	15 7/8	16 1/4	15 1/2
CRP5-0450-TF5	15 7/8	16 1/4	15 1/2
CR60K5-PFV	15 7/8	16 1/4	15 1/2
CR60K5-TFD	15 7/8	16 1/4	15 1/2
CR60K5-TF5	15 7/8	16 1/4	15 1/2
CRN5-0500-PFV	16 1/8	16 1/2	15 11/16
CRN5-0500-TFD	16 1/8	16 1/2	15 11/16
CRN5-0500-TFE	16 1/8	16 1/2	15 11/16
CRN5-0500-TF5	16 1/8	16 1/2	15 11/16
CRT5-0450-PFV	15 7/8	16 1/4	15 1/2
CRT5-0450-TFD	15 7/8	16 1/4	15 1/2
CRT5-0450-TFE	15 7/8	16 1/4	15 1/2
CRT5-0450-TF5	15 7/8	16 1/4	15 1/2



SPECIFICATIONS	
ES NO.	DESCRIPTION

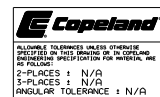
DUE TO ACCUMULATED ASSEMBLY TOLERANCES THE LISTED COMPONENTS MAY VARY FROM THE MOUNTING HOLES AS TABULATED.	
DISCHARGE TUBE	± 0.125
SUCTION TUBE	± 0.187
PROCESS TUBE	± 0.187

- NOTES:
1. TOLERANCES TO BE ±0.062 UNLESS OTHERWISE SPECIFIED.
 2. TUBE ENDS MUST BE PLUGGED.

CHANGE NOTICE NO.	REV. NO.	DESCRIPTION	DATE	BY	CHK'D
32-1298-027	49	ADDED CR60K5-PFV, TFD, TF5	12-22-98	DEB	DEB
32-1195-043	48	DIMENSIONS, MODELS & CC HEATER REVISED	11-29-95	DEB	DEB
32-1289-007	47	REDRAWN, UPDATED HEATER WELL & NAMEPLATE	3-19-92	EG	EG
30-0180-022		RELEASE	1-15-80	DE	

MATERIAL SPECIFICATIONS	DRAWN BY	CHECKED BY	APPROVED BY	SCALE	SUPERSEDES DWG. NO.
N/A	E C G	EG		NONE	497-2343-00-3

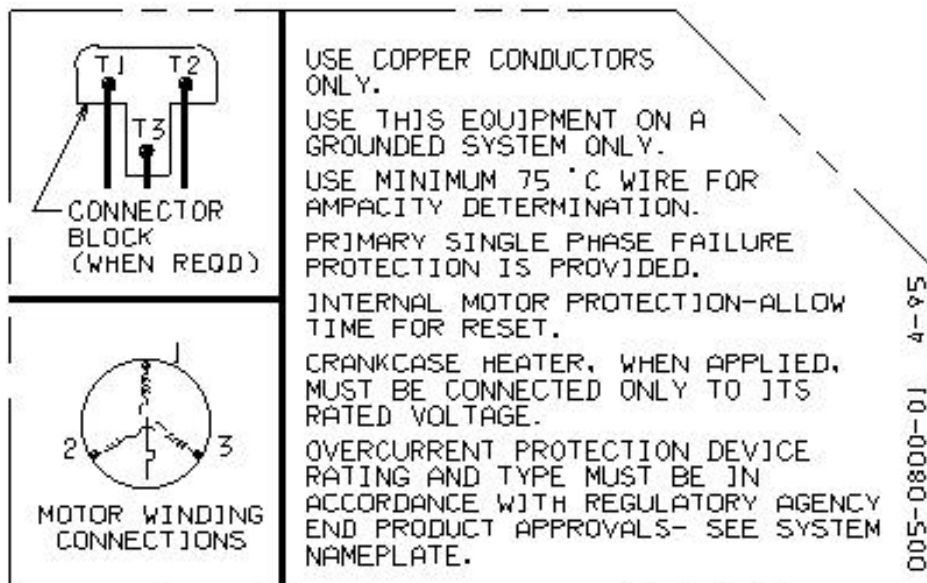
TITLE	DRAWING NUMBER	DWG NO.
REF. DWG. WELD COMP. ASSM	497-2343-00	4



NOTICE
THIS DRAWING AND THE INFORMATION CONTAINED HEREIN ARE THE EXCLUSIVE PROPERTY OF COPELAND. IT SHALL BE RETURNED TO COPELAND UPON DEMAND AND SHALL NOT BE REPRODUCED IN WHOLE OR IN PART, DISCLOSED TO ANYONE ELSE OR USED WITHOUT THE WRITTEN CONSENT OF COPELAND.

3

48



005-0800-01 4-95

Wiring Diagram 005-0800-01