

MODEL NUMBER SIGNIFICANCE CHART

1	2	3	4	5	6	7	8	9	10	11	12	13	14
0	6	D	A	3	1	6	0	0	A	3	2	0	0

NOTES:

- SPECIAL ORDER SERVICE COMPRESSORS FOR BRYANT MAY BE PROCESSED AS "9" NAMEPLATED "6" (8TH DIGIT).
- SERVICE MODELS WITH "C" IN THE 10TH DIGIT REPLACE ALL "A", "C" AND "E" ORIGINAL EQUIPMENT MODELS AND "D" SERVICE MODELS REPLACE "8" & "F" MODELS. TERMINAL BOXES AND OVERLOADS ARE TO BE RE-USED OR REPLACED IF DAMAGED.
- "09" IN THE 11TH & 12TH DIGITS HAS BEEN USED IN THE PAST FOR 400-3-50 MOTORS AND IS NO LONGER USED. SO AS TO AVOID CONFUSION IN SERVICE THESE DIGITS ARE TO BE LEFT ON THIS CHART BUT ARE NOT TO BE RE-USED.

06D HERMETIC RECIP. COMPRESSOR

4TH DIGIT UNLOADER VARIABLE				DESCRIPTION
LETTER	SERIES	BOOTH		
L	S			NO HOT GAS BYPASS UNLOADERS
T	A			ELECTRIC UNLOADERS 1 STEP
A	N			ELECTRIC UNLOADERS 2 STEP
B	V			PRESSURE UNLOADERS 1 STEP
C	I			PRESSURE UNLOADERS 2 STEP
D	R			SUCTION CUT-OFF 1 STEP
E	R			ELECTRIC UNLOADERS 2 STEP
F	E			MED. TEMPERATURE, REPLACES ALL "A's" IN SERVICE
G	C	X		2 SHAVED HDS. - SPECIAL ORDER REFRIGERATION
M		X		AIC - 2 PLUGGED HDS. REPLACES ALL C&E SERVICE SPEC. ORDERS
N		X		1 PLUGGED HEAD - REPLACES ALL B,C,D&E PROD. MODELS IN SERVICE
R		X		REFR. - 2 PLUGGED HDS. SERVICE SPEC. ORDER
W	X			HI-EFF SERVICE MOD. W/1 BLOCKED UNLDR HD - REPLACES F,G,H&J
X	X			SUCTION CUT-OFF PRES 1 STEP
Y	X			SURE UNLOADERS! 2 STEP
S	X			
H	X			
J	X			

13TH DIGIT	FUTURE DESIGN VARIABLES
0	ORIGINAL DESIGN A/C & REFRIG.
1	2ND GENERATION REFRIG. CPRSR. W/NEW VALVE PLATE
2	MED. RANGE A/C CPRSR. WITH REFRIG. CHARACTERISTICS
3	LOW CLEARANCE VOLUME
4	SUCTION CUT-OFF 1 STEP
5	ELECTRIC UNLOADERS
6	OIL-LESS
7	-

14TH DIGIT	PACKAGING VARIATIONS
0	SERVICE UNIT SINGLE PACK-BASE UNIT UNPACKAGES
1	SINGLE PACK - DOMESTIC
2	LESS SERVICE VALVE
3	MULTI-PACK DOMESTIC
4	EXPORT - 1 UNIT
5	MULTI-PACK
6	PALLETIZED
7	GOVERNMENT PACK
8	SINGLE PACK - DOMESTIC WITH SERVICE VALVE
9	MATCHED COMPONENTS - CONSISTS OF SEPARATE EXPORT PACKAGE PIECES DOMESTIC MULTI-PACK & MCMINNVILLE

10TH DIGIT	OVERLOAD & T'STAT VARIABLE SEE NOTE 2		DESCRIPTION
	EXTL. OVLDS.	INTL. T'RAT.	
A	YES	YES	
B	YES	NO	
C	NO	YES	
D	NO	NO	
E	YES	YES	1ST OVERLOAD VARIATION
F	YES	NO	1ST OVERLOAD VARIATION
G	YES	YES	MANUAL RESET OVERLOADS
T	NO	YES	TECUMSEH SERVICE MODELS

11TH & 12TH DIGITS	ELECTRICAL CHARACTERISTICS VOLTS-PHASE-HERTZ	START
00	-	XL
01	575 - 3 - 60	XL
02	200 - 1 - 60	XL
03	230 - 1 - 60	XL
04	200 - 3 - 60	XL
05	230 - 3 - 60	XL
06	400/460 - 3 - 50/60	XL
07	230 - 1 - 50	XL
08	220 - 3 - 50	XL
09	SEE NOTE 3	XL
10	230 - 2 - 60	XL
11	480 - 3 - 60	XL
12	208/230 - 3 - 60	XL
13	380 - 3 - 60	XL
14	200 - 3 - 60	P/W
15	230 - 3 - 60	P/W
18	220 - 3 - 50	P/W
19	230/460 - 3 - 60	XL
21	575 - 3 - 60	XL
26	400/460 - 3 - 60	XL
31	575 - 3 - 60	XL
32	208/230 - 3 - 60	XL
36	400/460 - 3 - 50/60	XL
38	415 - 3 - 50	P/W
39	415 - 3 - 50	XL
33	208/230 - 1 - 60	XL
34	220 - 3 - 50	XL

5TH DIGIT VARIABLE	MOTOR SIZES		
	2 CYL	4 CYL	6 CYL
0	2 HP		
1			5 HP
2			24 LBFT
3		5 HP	27 LBFT
4	3 1/2 HP		
5		5 1/2 HP	38 LBFT
6			
7		5 HP	20 LBFT
8	3 HP	20 LBFT	24 LBFT
9			

8TH DIGIT	KEY NO. SIGNIFICANCE
0	PROD. MOD. W/T-BOX
1	PKG. CPRSR. & CONTROL BOX
2	OEM A/C CPRSR.
3	TYLER MODELS
4	TECUMSEH OEM MODELS
5	FUTURE USE
6	REMAN. SERVICE CPRSR.
7	NEWMAN SERVICE CPRSR.
8	SPECIAL ORDER ONLY
9	SERV. SPEC. OR SEE NOTE 1

6TH & 7TH DIGITS	CRANKCASE ASSEMBLY NO.	CYL BORE
	CFM	
07	6D20-249	1-13/16
08	6D23-249	2
09	6D23-249	2
13	6D48-249	2
16	6D48-249	2
18	6D48-249	2
20	6D48-249	2
24	6D68-249	2
25	6D75-249	2
28	6D75-249	2
37	6D75-249	2

9TH DIGIT	SUCTION SERVICE VALVE VARIABLES		
	LOC. OF VALVE	M.E. COV. DESC.	VALVE ORIENTATION
A	MOTOR END	2 BOLT	30
B	MOTOR END	4 BOLT	30
C	MOTOR END	2 BOLT	90
D	MOTOR END	4 BOLT	90 OR 180
E	MOTOR END	2 BOLT	150
F	PUMP END	PLAIN	270
G	PUMP END	PLAIN	225

SERVICE COMPRESSOR MODEL NUMBER SIGNIFICANCE CHART

1	2	3	4	5	6	7	8	9	10	11	12	13	14
0	6	D	X	3	2	8	6	B	C	1	2	0	0

06D SEMI HERMETIC RECIPROCATING COMPRESSOR

14 TH DIGIT PACKAGING

4 TH DIGIT VARIATION

M	A/C Med Temp No Unloader
R	Refrig - No Unloaders
S	1 Plugged Head (SCOU)
X	1 Plugged Head (HGBP)

("M" REPLACES ALL "A" PRODUCTION COMPS)

13 TH DIGIT VARIATION

FUTURE DESIGN VARIABLES

0	Original Design A/C & Refrig
1	2nd Gen Refrig w/New VLV PLT
2	Med A/C w/Refrig Character
3	Low Clearance Volume
4	R or M, Oil, 1 Step Elec SCOU
5	No Oil
6	with POE Oil
7	R or M, No Oil, 1 Step Elec SCOU
8	R or M, No Oil, 2 Step Elec SCOU

5 TH DIGIT VARIATION

	MOTOR 2-CYL	MOTOR 4-CYL	MOTOR 6-CYL
0		3HP	
1	2HP		5HP
2			24 Lb Ft
3		5HP	27 Lb Ft
4	3 1/2 HP		
5		5 1/2HP	38 Lb Ft
7		5HP	20 Lb Ft
8	3HP	20 Lb Ft	24 Lb Ft

8 TH DIGIT VARIATION

6	Reman Service Compr
7	New Man Service Compr
8	Special Order Only
9	Service Special Order

11 TH & 12 TH DIGIT VARIATION

ELECTRICAL SPECS

	VOLTS / PHASE / HERTZ	START
01	575-3-60	XL
02	200-1-60	XL
03	230-1-60	XL
04	208-3-60	XL
05	230-3-60	XL
06	400 / 460-3-50 / 60	XL
07	230-1-50	XL
08	220-3-50	XL
09	400-3-50	XL
10	230-2-60	XL
11	480-3-60	XL
12	208 / 230-3-60	XL
13	380-3-60	XL
14	200-3-60	P/W
15	230-3-60	P/W
18	220-3-50	P/W
19	230 / 460-3-60	XL
21	575-3-60	XL
26	400 / 460-3-50 / 60	XL
31	575-3-60	XL
32	208 / 230-3-60	XL
33	208 / 230-1-60	XL
34	220-3-50	XL
36	400 / 460-3-50 / 60	XL
38	415-3-50	P/W
39	415-3-50	XL

6 TH & 7TH DIGIT VARIATION

CFM	NO. OF CYL	CYL BORE
07	2	1 3/16
08	2	2
09	2	2
13	4	2
16	4	2
18	4	2
20	4	2
24	6	2
28	6	2
37	6	2

9 TH DIGIT VARIATION

SUCTION SERVICE VALVE VARIABLE

	LOCATION	VALVE MOUNT	VALVE ORIENTATION	
A	Motor End	2 Bolt	30	
B	Motor End	4 Bolt	30	
C	Motor End	2 Bolt	90	
D	Motor End	4 Bolt	90 / 180	
G	Pump End	Plain	225	180

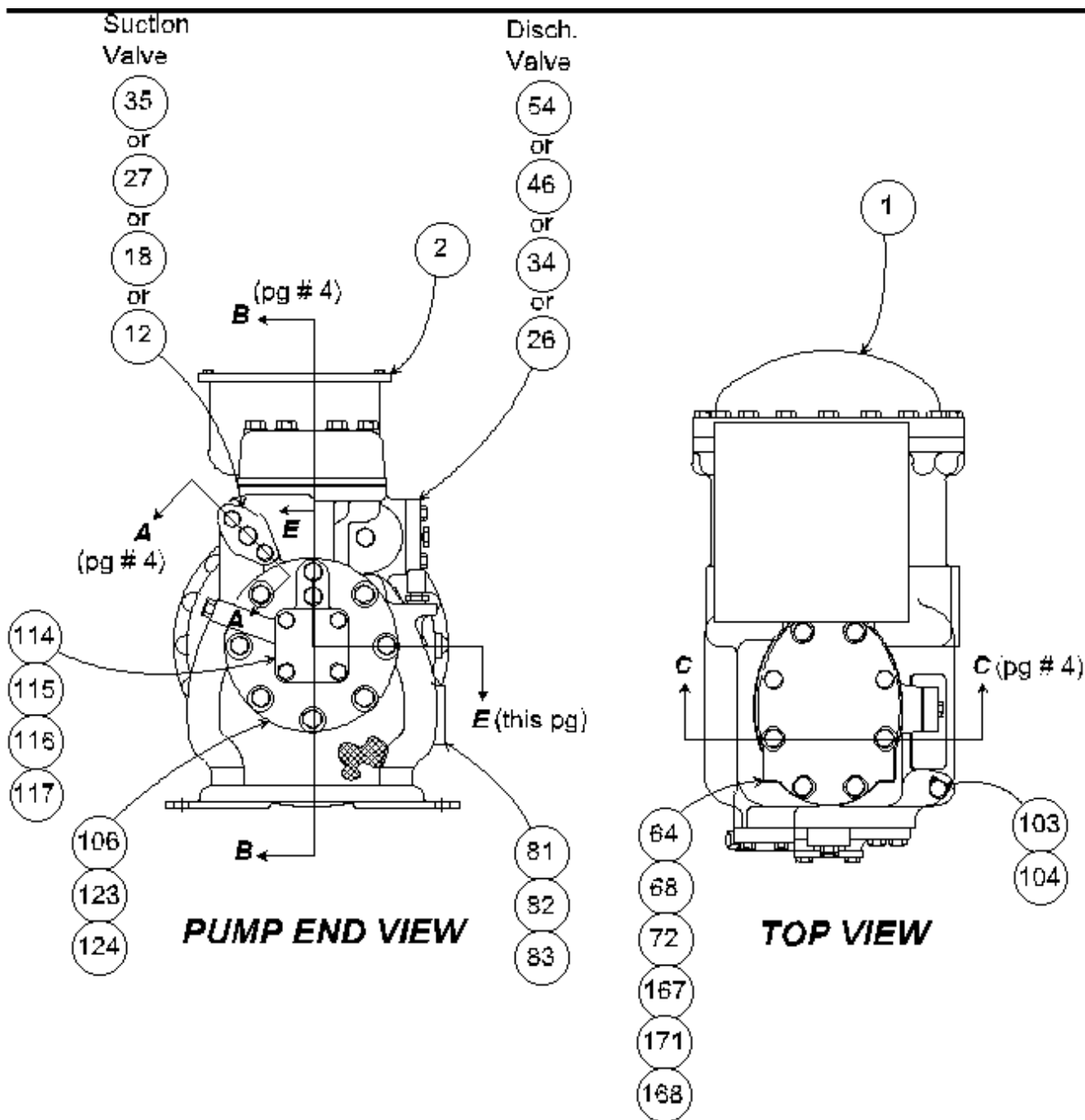
10 TH DIGIT VARIATION

	EXT'L OVLD'S	INT'L T'STATS	
C	NO	YES	FOR A, C & E
D	NO	NO	FOR B, D & F

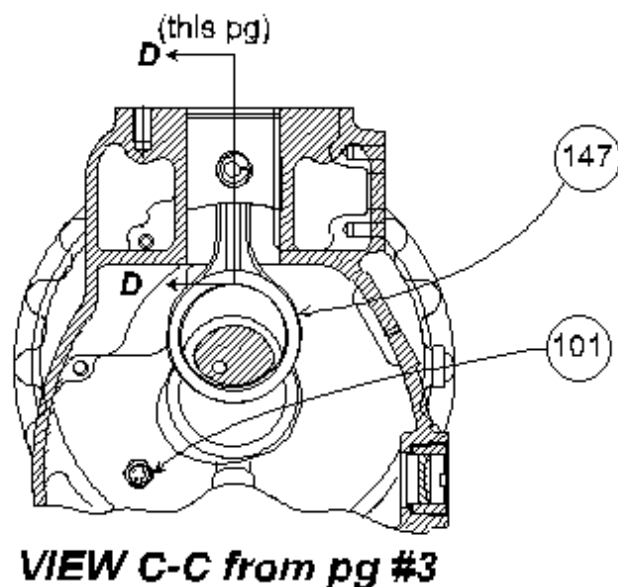
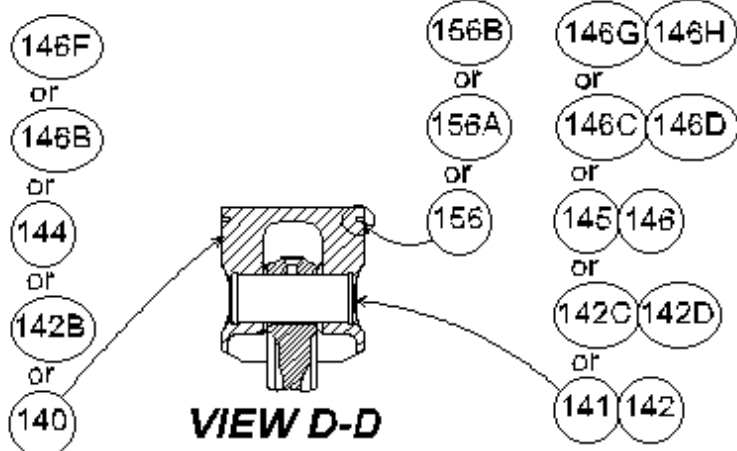
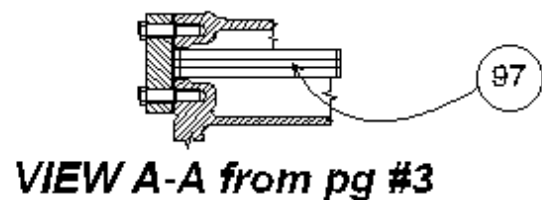
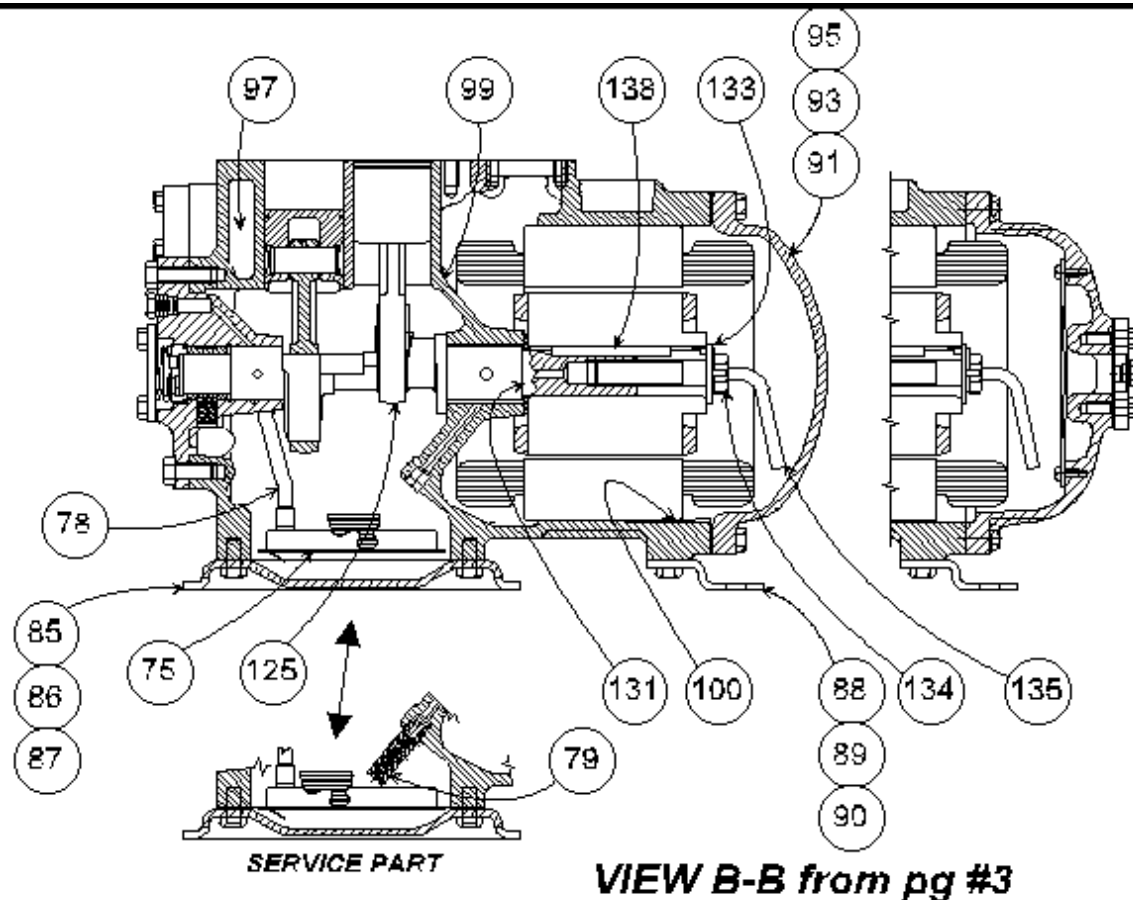
575-3-60 Unit Designed For Use On 518 to 632V
 460-3-50 414 to 506V
 230-3-60 198 to 254V
 220-3-50 198 to 242V
 400-3-50 342 to 457V
 200-3-60 180 to 229V
 208/230-3-60 187 to 254V

NOTE: 13 & 16 CFM REMAN COMPRS (MODELS WITH A (6) IN THE 8TH DIGIT OF MODEL NUMBER) WILL HAVE SUCTION VALVE MOUNTING CAPABILITIES AT BOTH THE MOTOR & PUMP ENDS. TO REPLACE ANY EXISTING MODEL YOU MAY HAVE, NEW SERVICE COMPRS (MODELS WITH A (7) IN THE 8TH DIGIT OF MODEL NUMBER) WILL NOT HAVE THE SUCTION VALVE DUAL LOCATION. IT WILL HAVE THE VALVE IN LOCATION INDICATED BY WHAT IS SHOWN IN THE 9TH DIGIT OF THE MODEL NUMBER.

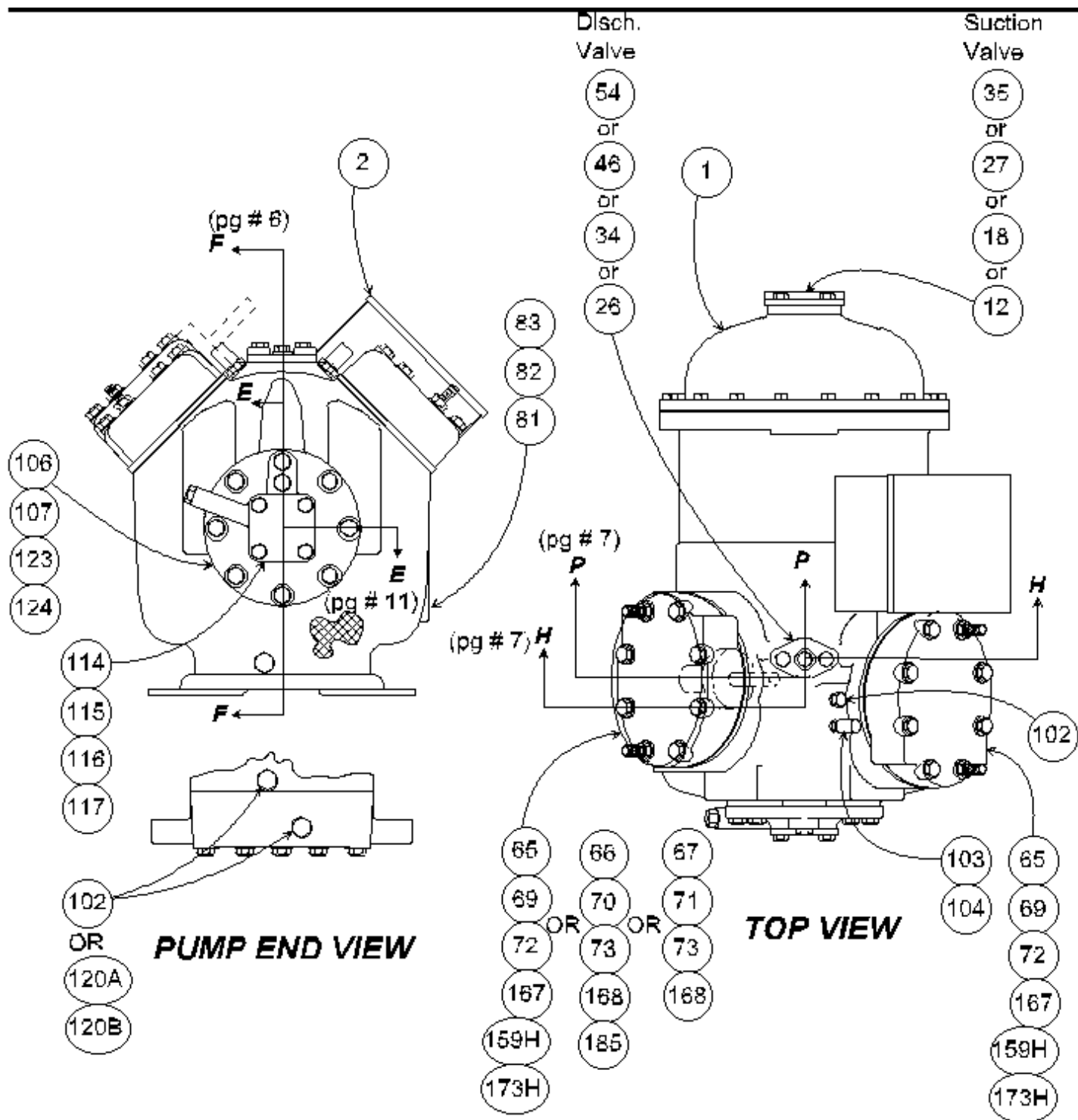
NOTE: All Service Compressors Are Less External Overloads, Service Valves, Crankcase Heaters, Unloader Valves / Coils & Terminal Boxes.



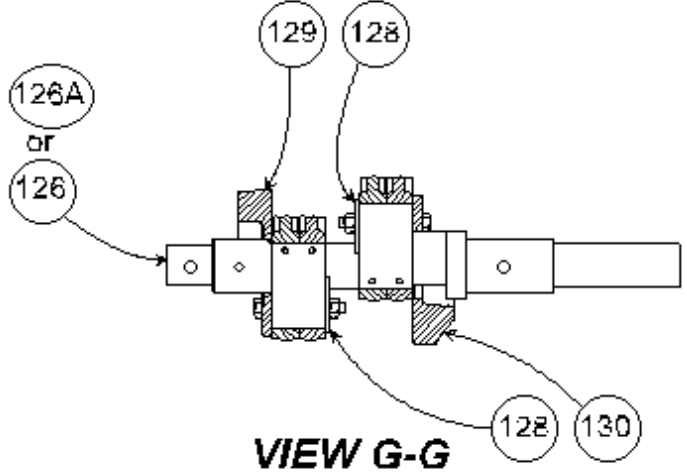
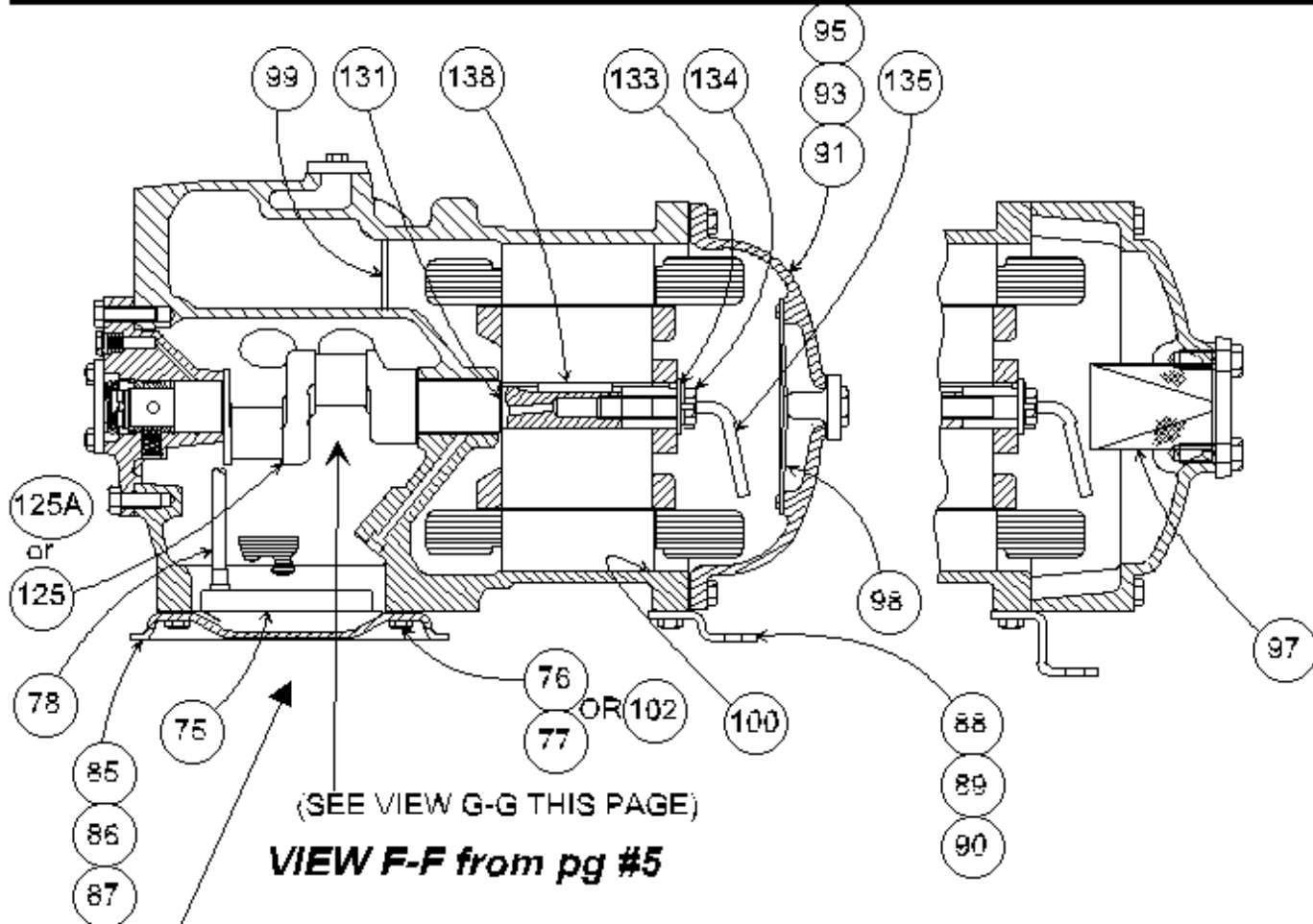
2 CYL. COMPRESSORS



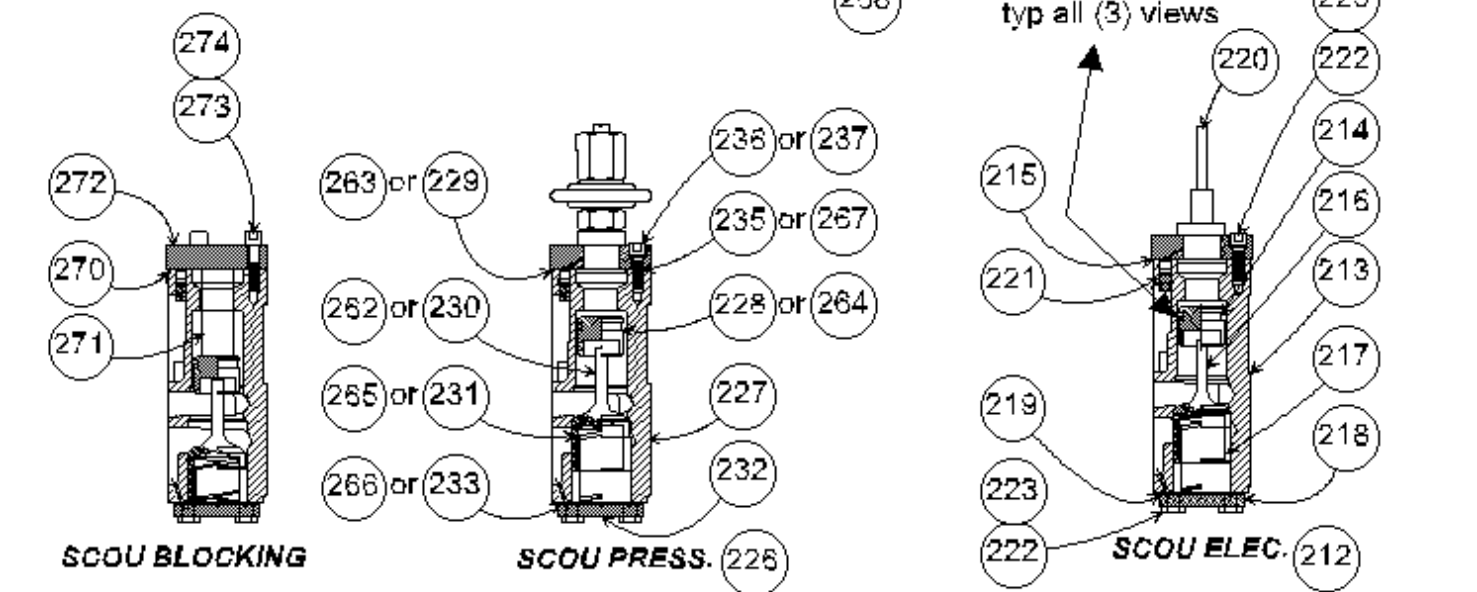
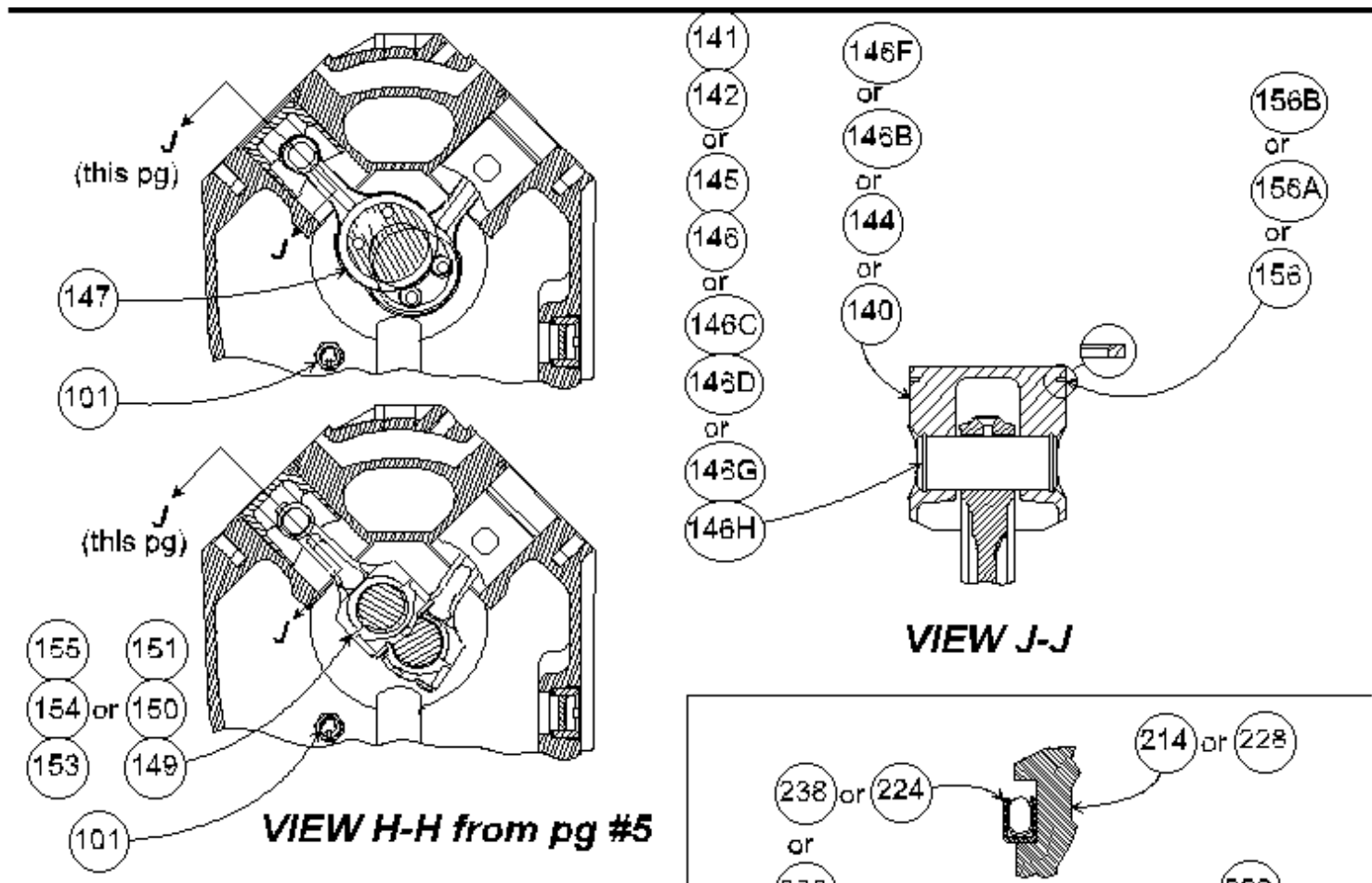
2 CYL. COMPRESSORS



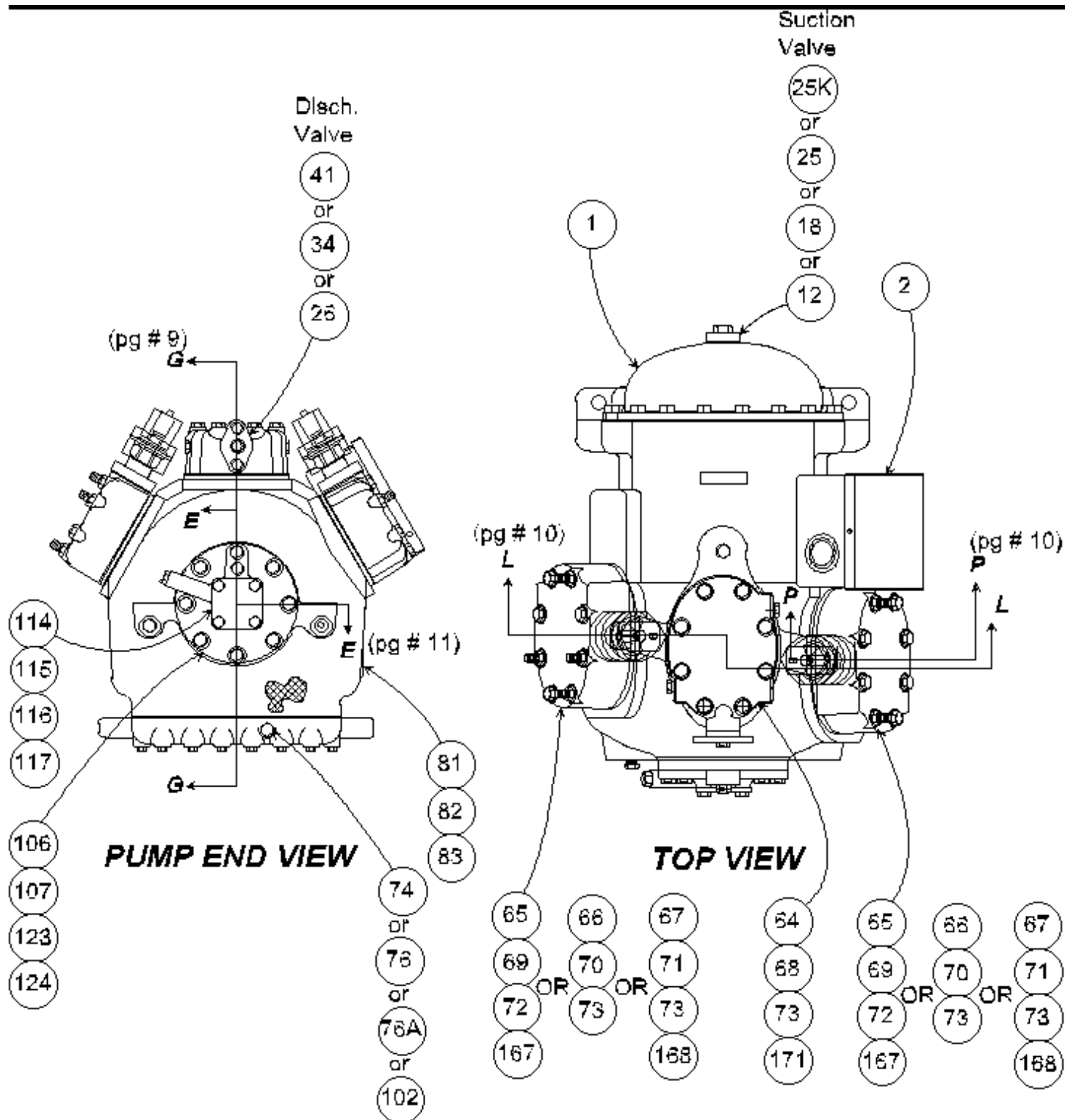
4 CYL. COMPRESSORS



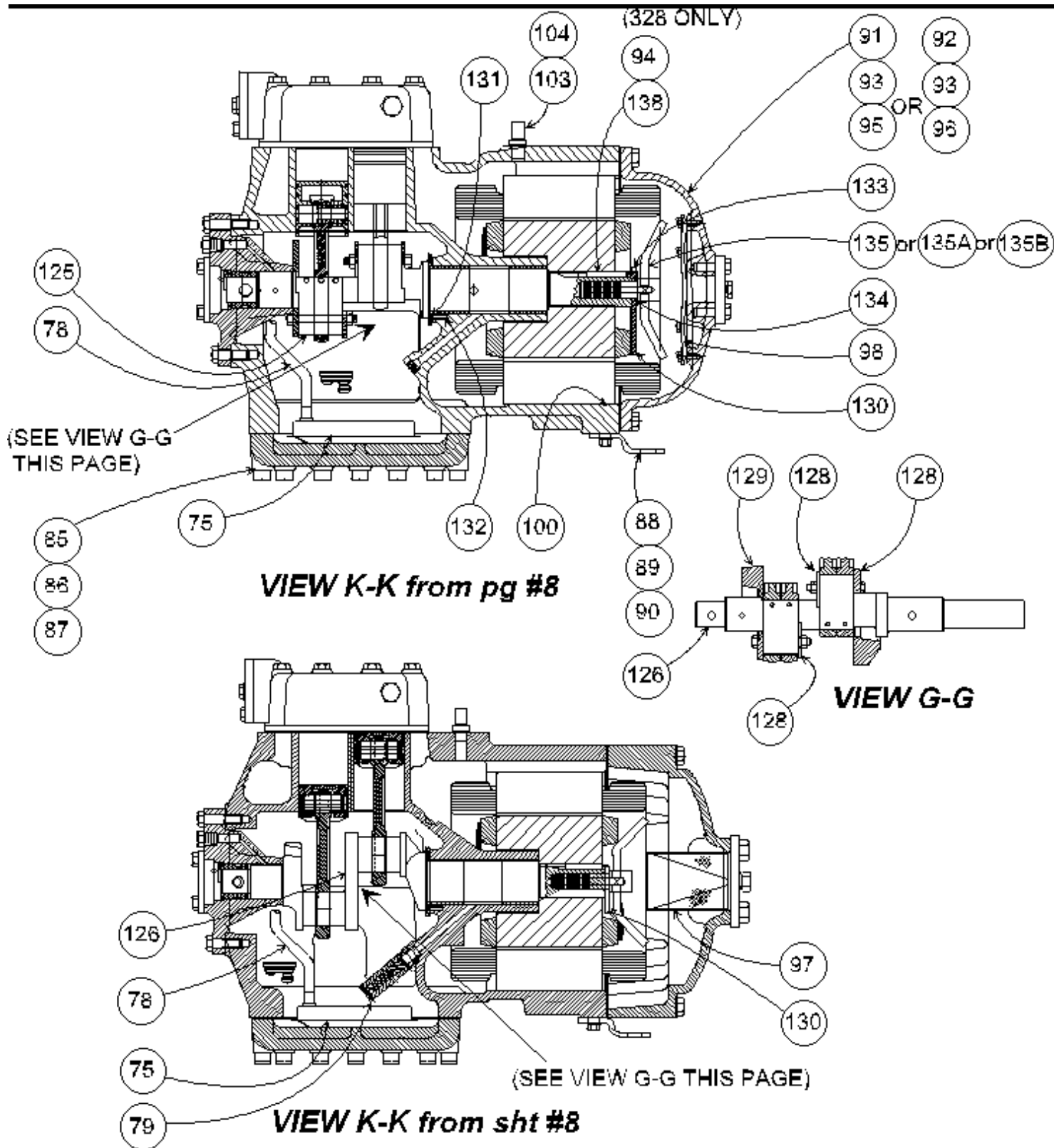
4 CYL. COMPRESSORS

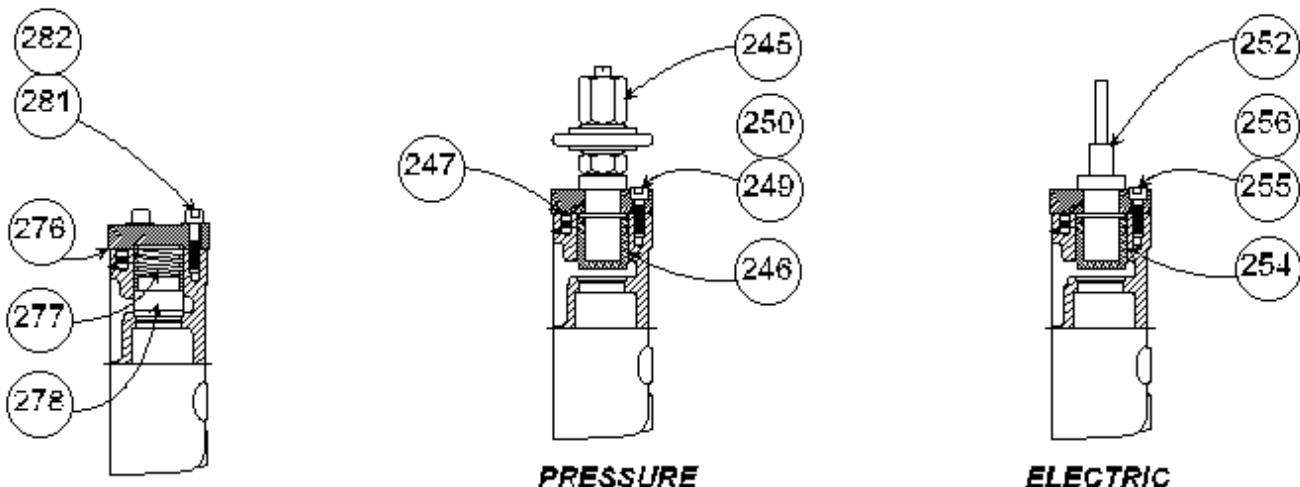
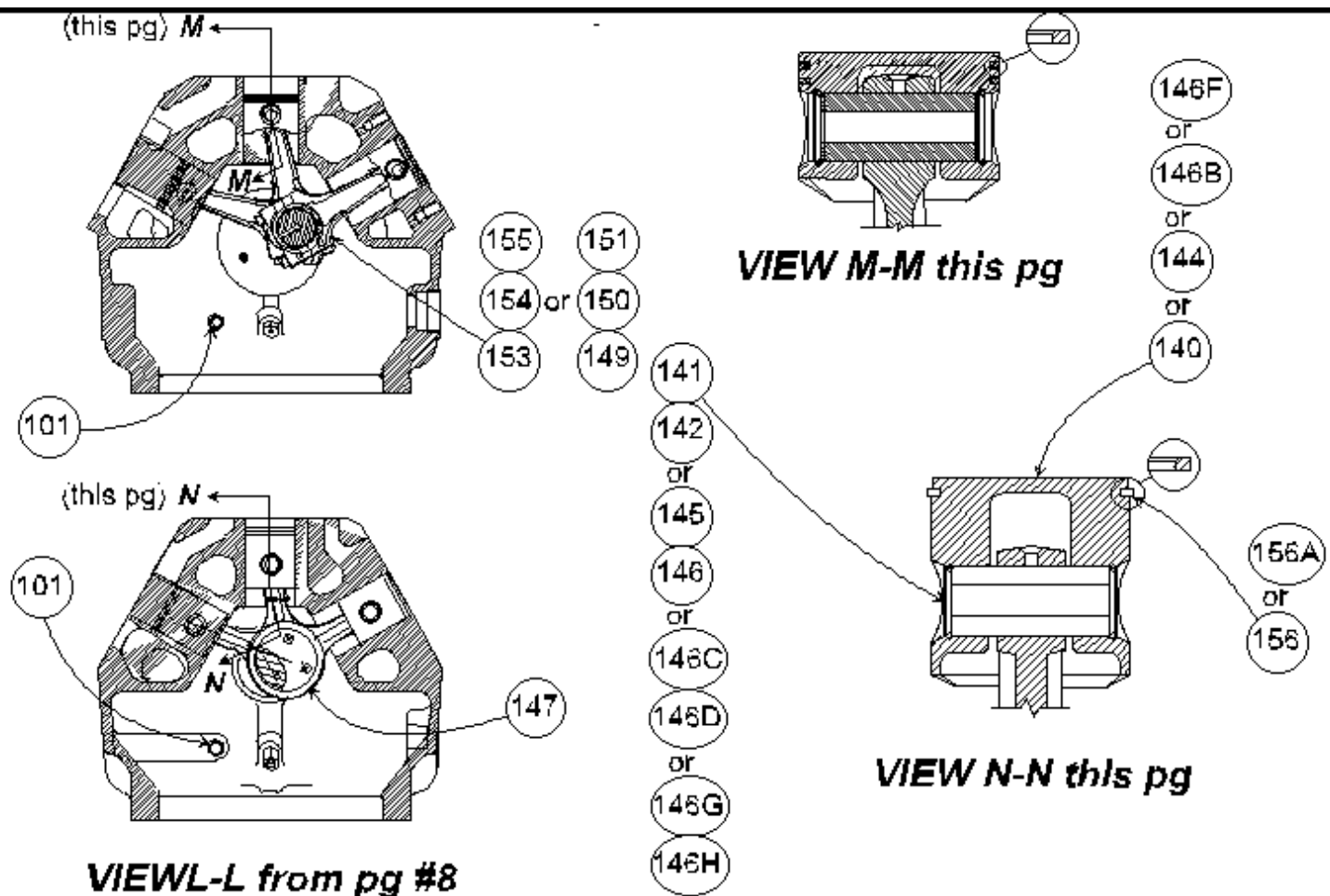


**HGBP CAPACITY CONTROL
VIEW P-P from pg #5
4 CYL. COMPRESSORS**

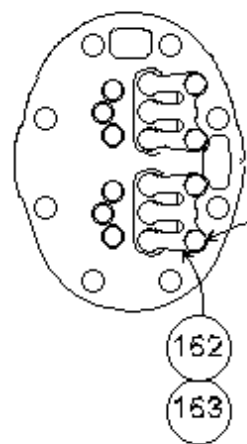


6 CYL. COMPRESSORS



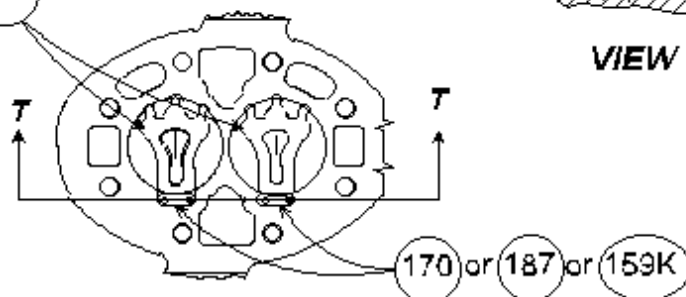


HGBP CAPACITY CONTROL
VIEW P-P from pg #8
6 CYL. COMPRESSORS



2 CYL. COMP'S

- 159J
- or
- 173J
- or
- 186
- or
- 169



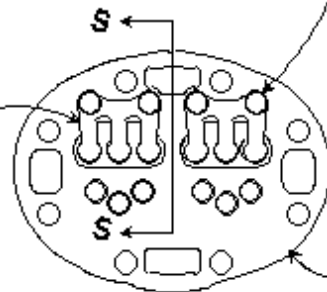
ALL COMP'S

- 176
- 175
- or
- 163
- 162
- or
- 159D
- 159C
- or
- 173D
- 173C



VIEW S-S

- 159E
- or
- 182
- or
- 177
- or
- 164



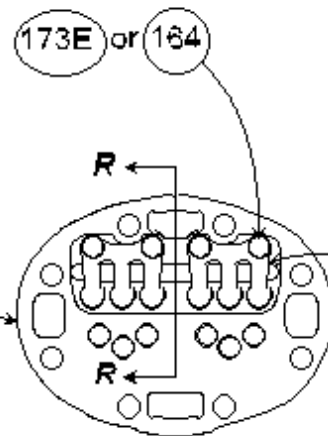
A/C COMP'S
MED. TEMP. COMP'S

- 161
- or
- 173B
- 166
- or
- 173G
- 172

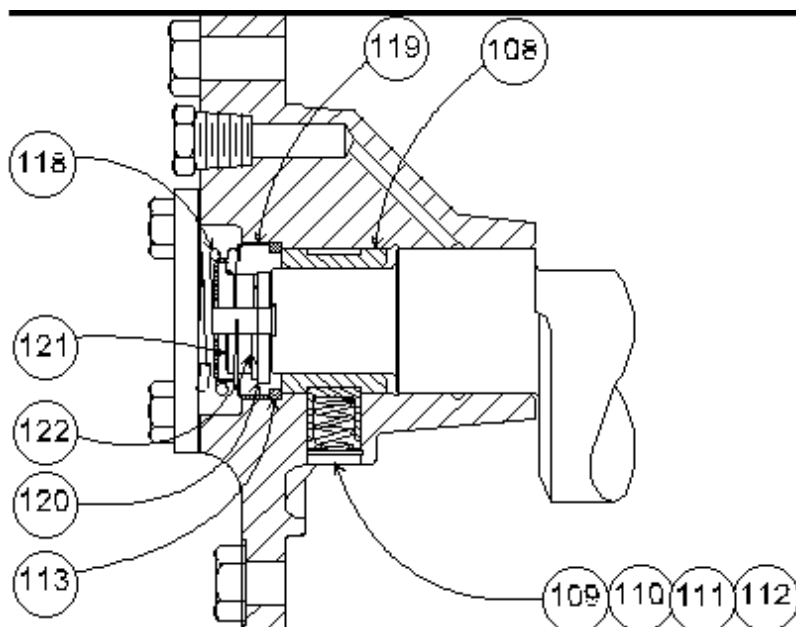


VIEW R-R

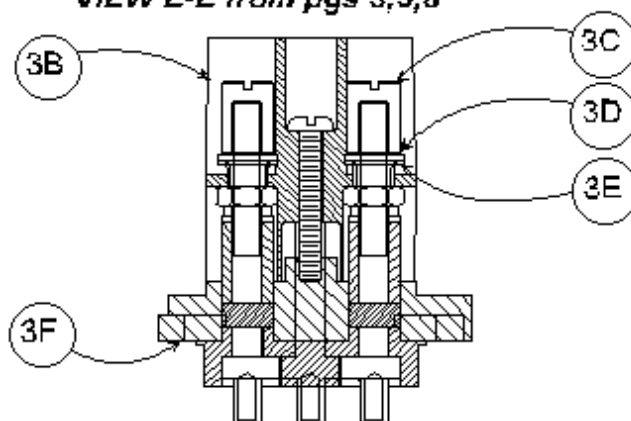
- 176
- 175
- or
- 163
- 162
- or
- 159D
- 159C
- or
- 173D
- 173C



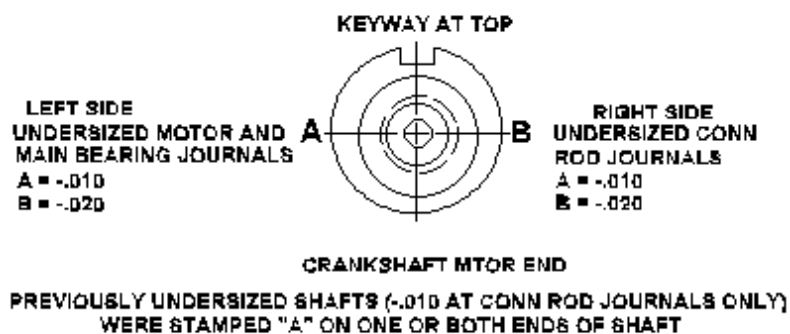
REFRIG. COMP'S



VIEW E-E from pgs 3,5,8



3A TYPICAL TERMINAL PLATE



DETAIL V

Model/Sales Package: 06DA/DM/DX316...

Model 06DA/DM/DX316...

Description 4 CYLINDER AIR COND/MED TEMP RECIPROCATING COMPRESSOR, 6D43 4 CYL

Itm#	Qty	Rec	Part Number	Description
1	1	-	06DM3166FC0300	COMPRESSOR ASSY 230-1-60
1B	1	-	06DM3166CC3200	COMPRESSOR ASSY 208/230-3-60
1C	1	-	06DM3166CC3600	COMPRESSOR ASSY 400/460-3-50/60
1D	1	-	06DM3166CC3100	COMPRESSOR ASSY 575-3-60
2	1	-	06DA660075	TERM.BOX & COVER KIT(3 X5 X6): NOTE: FOR 1/2 OVERLOADS 1 OR 3 PHASE.
2A	1	-	06DA660078	TERM.BOX & COVER KIT(3.4X6X6): NOTE: FOR UP TO 3 OLD'S 3 PH XL.
2B	1	-	06DA660088	TERM.BOX & CVR.KIT(3 X6 X8): NOTE: FOR UP TO 6 OLD'D,3 PHASE PW. NOTE: EACH TERMINAL BOX & COVER KIT CONTAIN LABELS INSULATION & HDWR.
3	1	-	06DA660134	TERMINAL PLATE PACKAGE: INCLUDES: ITEMS 3A-3H
3A	1	-	NSS	> TERMINAL PLATE ASSY(6 PIN) includes
3B	1	-	06DA503674	> > PHASE BARRIER(PLASTIC)
3C	6	-	06DA503262	> > NUT,TERMINAL(BRASS)
3D	6	-	AU29AR171	> > WASHER,LOCKTOOTH
3E	6	-	06DA502333	> > SPACER SLEEVE (BRASS)
3F	1	-	6D401061	> GASKET,TERMINAL PLATE
3G	2	-	NSS	> SPLICE
3H	4	-	NSS	> SCREW,TERMINAL PLATE MTG
4	1	-	6D401311	GROMMET,MOTOR LEAD
5	1	-	06DA660095	TERMINAL PACKAGE: INCLUDES: ITEM 5A
5A	6	-	NSS	> TERMINAL NUT & SCREW: NOTE: FOR USE ON POWER LEADS THOUGH SIZE #5 WIRE. NOTE: *INDICATES VOLTAGE CODE OF COMPRESSOR LISTED AS LAST 4 DIGITS OF COMPRESSOR MODEL NUMBER. SEE SIG CHART ON PGS 1 & 2 OF THIS PARTS LIST Y
6B	2	C	HN69GZ024	OVERLOAD 0400* 208-3-60
6C	2	C	HN69GZ031	OVERLOAD 0500* 230-3-60
6E	2	C	HN69GZ014	OVERLOAD 0600* 400/460-3-50/60
6F	2	C	HN69GZ032	OVERLOAD 0100* 575-3-60
6G	2	C	HN69GZ053	OVERLOAD 0800* 220-3-50
6L	2	C	HN69GZ032	OVERLOAD 3100* 575-3-60
6M	2	C	HN69GZ024	OVERLOAD 3200* 208/230-3-60
6N	2	C	HN69GZ031	OVERLOAD 3400* 220-3-50
6O	2	C	HN69GZ014	OVERLOAD 3600* 400/460-3-50/60
6P	2	C	HN69GZ014	OVERLOAD 3900* 415-3-50: NOTE: OVERLOAD SPACER IS USED IN TERMINAL BOX FOR MOUNTING OLD'S TO.
9	1	-	06DA660077	OVERLOAD SPACER PKG (2 PCS): NOTE: TAKES UP TO 6 OLD'S,USED IN 5X6 & 6X8 BOXES.
9A	1	-	06DA403052	OVERLOAD SPACER: NOTE: TAKES UP TO 4 OLD'S,USED IN 6X8 BOX.
9B	1	-	06DA403042	OVERLOAD SPACER: NOTE: TAKES UP TO 2 OLD'S,USED IN 6X6 BOX.
12	1	R	06DA660062	SUCTION VALVE PACKAGE: INCLUDES: ITEMS 13-17A
13	1	-	NSS	> SERVICE VALVE,(2 BLT)
14	1	R	6D401131012	> GASKET,VALVE (1.75 CTRS)
15	2	-	NSS	> CAPSCREW,VALVE MOUNTING
16	1	-	EN99ZA006	> CAP,VALVE (MUELLER)
16A	1	-	EN99ZA013	> CAP,VALVE (HENRY)
17	1	-	EN99ZA103	> GASKET,VALVE CAP (MUELLER)
17A	1	-	NSS	> GASKET,VALVE CAP (HENRY)
18	1	R	06DA660064	SUCTION VALVE PACKAGE (ALT): INCLUDES: ITEMS 19 - 24A
19	1	-	NSS	> SERVICE VALVE
20	1	R	6D401131	> GASKET,VALVE
21	2	-	NSS	> CAPSCREW,VALVE MOUNTING
22	1	-	EN99ZA006	> CAP,VALVE (MUELLER)
22A	1	-	EN99ZA013	> CAP,VALVE (HENRY)

Itm#	Qty	Rec	Part Number	Description
24	1	-	EN99ZA103	> GASKET,VALVE CAP(MUELLER)
24A	1	-	NSS	> GASKET,VALVE CAP (HENRY)
25S	1	-	06DA660103	BAFFLE PLATE PACKAGE (DISCHARGE): INCLUDES: ITEMS 25T - 25U
25T	1	-	NSS	> BAFFLE PLATE (3 HOLE)
25U	2	-	6D231421	> GASKET
26	1	R	06DA660060	DISCHARGE VALVE PACKAGE: INCLUDES: ITEMS 27 - 32A
27	1	-	NSS	> SERVICE VALVE (5/8ODS,2BOLT)
28	1	R	6D231421	> GASKET,VALVE(1.62 CTRS)
30	2	-	NSS	> CAPSCREW,VALVE MOUNTING
31	1	-	EN99ZA006	> CAP,VALVE(MUELLER)
31A	1	-	NSS	> CAP,VALVE (HENRY)
32	1	-	06DA680053	> GASKET,VALVE CAP (MUELLER)
32A	1	-	NSS	> GASKET,VALVE CAP (HENRY)
34	1	R	06DA660061	DISCHARGE VALVE PKG.(ALTERNATE): INCLUDES: ITEMS 35 - 40A
35	1	-	NSS	> SERVICE VALVE (2 BOLT)
36	1	R	6D231421	> GASKET,VALVE (1.62 CTRS)
37	2	-	NSS	> CAPSCREW,VALVE MOUNTING
38	1	-	EN99ZA006	> CAP,VALVE (MUELLER)
40	1	-	06DA680053	> GASKET,VALVE CAP (MUELLER)
62	1	-	PH23QK016	PAINT,SPRAY (SEA FOAM GREEN)
63	1	R	6D43172	GASKET SET: NOTE:GASKET SET CONTAINS ITEMS 14,37,68,69,70,86,93,117,124,159G & 166 IN QUANTITIES FOR ANY SIZE COMPRESSOR.
65	2	-	6D402163	HEAD,CYLINDER (W/O CAP CNTRL)
67	1	-	06DA504614	HEAD,UNLOADER CYL(SCOU) (*) (HEAD ONLY)
69	1	R	05GA502213	GASKET,CYL.HEAD (W/O CAP CNTRL) (*)
71	1	R	05GA502223	GASKET,CYL.HEAD (SCOU) (*)
72	1	-	AA06GR237	CAPSCREW,CYL.HEAD (W/O CAP CNTRL) (*)
73	1	-	AA06GR239	CAPSCREW,CYL.HEAD (W/CAP CONT.)(*): QUANTITY OF ITEMS MARKED (*) ARE DETERMINED BY CAPACITY CONTROL TYPE.
74	1	-	05GA501762	PLUG,OIL DRAIN (7/16-20 SAE): NOTE: SAE FITTINGS ARE ONLY FOUND ON NEWER COMPRESSOR MODELS. OLDER VERSIONS STILL HAVE PIPE PLUGS FOR OIL FILL AND DRAIN CONNECTIONS.
74A	1	-	DE14CA126	ADAPTER (7/16-20 SAE X 1/4 FPT)
74B	1	-	KK71EW904	"O" RING (FOR 74/74A)
75	1	-	6D40103	SCREEN ASSEMBLY,OIL FILTER
76	1	-	5F201311	ADAPTER (1/4" FPT TO 5/8-18)
77	1	-	AU51YA011	GASKET,OIL BY-PASS PLUG
78	1	-	6D401092	TUBE,OIL SUCTION
79	1	-	6D40212	VALVE ASSEMBLY,OIL RELIEF: INCLUDES: ITEM 80
80	1	-	DC03CA076	> NUT,COMPRESSION
81	1	-	30HH401051	ADAPTOR (1-1/2-18 X 1-1/8 ODS)
82	1	R	5F20152	SIGHTGLASS ASSEMBLY: INCLUDES: ITEM 83
83	1	R	5F201631	> GASKET,SIGHTGLASS
85	1	-	6D401033	COVER,BOTTOM
86	1	-	6D401043	GASKET,BOTTOM COVER
87	16	-	AA06GR229	CAPSCREW,BOTTOM PLATE
88	1	-	6D401042	FOOT,COMPRESSOR
89	2	-	AA06GR229	CAPSCREW,COMPRESSOR FOOT
90	2	-	AU27AR241	WASHER,EVERLOCK
91	1	-	6D481024	COVER,MOTOR END
93	1	R	6F251013	GASKET,MOTOR END COVER
95	18	-	AA06GR262	CAPSCREW,MOTOR END COVER
97	1	R	6D40112	STRAINER,SUCTION (MESH CUP)
98	1	R	6D48303	STRAINER,SUCTION (FLAT TYPE)
99	1	-	6D401172	PLATE,BAFFLE (OLDER UNITS ONLY)
100	1	-	AX14CA135	ROLLPIN (STATOR TO CRANKCASE)

Itm#	Qty	Rec	Part Number	Description
101	1	-	6D40162	VALVE ASSEMBLY,CHECK
102	4	-	CA63AA051	PLUG,PIPE
103	1	-	06DA403844	VALVE ASSEMBLY,LOW PRESS.CONN
104	1	-	99CC409372	CAP,VALVE
105	1	R	06DA660126	BEARING HEAD & OIL PUMP PACKAGE: NOTE: BRG HEAD PKG HAS A 1/8 NPT CONN FOR OIL SAFETY SW WHICH IS NOT PART OF IT # 105. ORDER P529-2110 IF REQUIRED. ALSO SEE ITEM # 283. INCLUDES: ITEMS 106-124
106	1	-	NSS	BEARING HEAD ASSEMBLY: INCLUDES: ITEMS 107-124
107	1	-	NSS	> BEARING,HEAD
108	1	-	NSS	> ROTOR,PUMP
109	2	-	NSS	> VANE,PUMP
110	2	-	NSS	> SPRING,VANE
111	2	-	NSS	> GUIDE,SPRING
112	1	-	NSS	> RING,ROTOR RETAINING
114	4	-	AU51YA003	> GASKET,CAPSCREW
115	4	-	AA06GR199	> SCREW,HEX HEAD CAP
116	1	-	7J16002	> PLATE,COVER
117	1	R	6D401061	> GASKET,COVER PLATE
118	1	-	6D401112	> SPRING,GUIDE VANE
119	1	-	6D401171	> VANE,GUIDE
120	1	-	05KA404093	> DRIVE SEGMENT,OIL PUMP
120A	1	-	05GA502142	> FILL PLUG (3/8-24 SAE)(INC "O" RING): NOTE: SAE FITTINGS ARE ONLY ON NEWER COMPRESSOR MODELS.OLDER VERSIONS STILL USE PIPE PLUGS FOR OIL FILL AND DRAIN CONNECTIONS.
120B	1	-	KK71EW904	> "O" RING (FOR ITEM 120A)
121	2	-	NSS	> SCREW,SOCKET HEAD
122	2	-	NSS	> LOCKWASHER
123	8	-	NSS	> SCREW,HEX HEAD CAP
124	1	R	6D401022	> GASKET,BEARING HEAD
125A	1	-	06DA504494	SHAFT,ECCENTRIC (2" BORE)
128	1	-	06DA503033	SIDE SHIELD,ECCENTRIC STRAP
129	1	-	06DA503003	COUNTERWEIGHT,PUMP END
130	1	-	06DA503023	COUNTERWEIGHT,MOTOR END
133	1	-	06DA503112	LOCKWASHER,ROTOR (1.75DIA)
134	1	-	06DA503102	LOCKWASHER (5/8)(5 PT.STAR)
135	1	-	6D48122	TUBE ASSEMBLY,EQUALIZER
138	1	-	AW01DA103	KEY,ROTOR (1/4 X 1/4 X 3)
139	4	-	6D43962	PISTON & PIN PKG (A/C)(2" DIA): INCLUDES: ITEMS 140 - 142
140	1	-	NSS	> PISTON (FLAT TOP)
141	1	-	NSS	> PIN,PISTON
142	2	-	6D431051	> RETAINING RING,PISTON PIN
143	1	-	06DA660066	PISTON & PIN PKG (2.00 +.020)(A/C): INCLUDES: ITEMS 144-146
144	1	-	NSS	> PISTON
145	1	-	NSS	> PISTON,PIN
146	2	-	6D431651	> RETAINING RING,PISTON PIN
147	4	-	5D401372	ECCENTRIC STRAP
156	4	-	AU50CP355	RING,COMPRESSION (2.00 DIA)
156A	4	-	6D402553	RING,COMPRESS.(2 DIA.)(+.020)
158	4	-	AU50CP245	RING,OIL (2.00 DIA)
158A	4	-	6D402543	RING,OIL (2.00 DIA) (+.020)
160	1	-	06DA660120	VALVE PLT PKG (HI-EFF)(A/C)(2.00 BORE): INCLUDES: ITEMS 161 -172 NOTE: THIS HI-EFF VALVE PLATE CAN BE USED ON CYL BANKS W/O CAPACITY OR ON CYL BANKS USING SCOU. BUT CAN NOT BE USED ON BANKS USING HGBP.
161	1	-	NSS	> VALVE PLATE ASSEMBLY: INCLUDES: ITEMS 162-164
162	2	-	06DA502913	> > VALVE,DISCHARGE
163	2	-	06DA503943	> > STOP,DISCHARGE VALVE
164	4	-	06DA507672	> > SCREW,HEX HEAD

Itm#	Qty	Rec	Part Number	Description
166	1	R	05DA500153	> GASKET,VALVE PLATE
167	1	R	05GA502213	> GSKT,CYL HD (W/O UNLDG)(SIDE BANK)
168	1	R	05GA502223	> GASKET,CYL HD (STL) (SCOU)
169	2	-	06DA502903	> VALVE,SUCTION (HI-EFF)
170	2	-	NSS	> SPRING,SUCTION VALVE
171	1	R	05GA502173	> GASKET,CYL HEAD (CENTER)
172	1	-	06DA502923	> GSKT,VALVE PLT(STL)(LESS 1 PORT)
173	1	-	06DA660131	VALVE PLATE PKG (HGBP)(A/C)(: INCLUDES: ITEMS 174-188
174	1	-	NSS	> VALVE PLATE ASSEMBLY: INCLUDES: ITEMS 175-183
175	2	-	NSS	> > VALVE,DISCHARGE
176	2	-	NSS	> > STOP,DISCHARGE VALVE
177	4	-	NSS	> > SCREW,HEX HEAD
179	1	-	06DA502322	> > PISTON,CHECK VALVE
180	1	-	06DA502342	> > BODY,CHECK VALVE
181	1	-	6D752081	> > SPRING,CHECK VALVE
182	4	-	NSS	> > SCREW,ROUND HEAD
183	4	-	AU11AR081	> > LOCKWASHER
184	1	-	05DA500153	> > GASKET,VALVE PLATE
185	1	R	05GA502183	> > GASKET,CYL HEAD (W/HGBP)
186	2	R	06DA502903	> > VALVE,SUCTION
187	1	-	NSS	> > SPRING,SUCTION VALVE
188	8	-	7J16032	> > DOWEL,SUCT.VALVE
189	1	R	06DA660091	C'CASE HTR,STRAP ON 115V;180W
189A	1	R	06DA660092	C'CASE HTR,STRAP ON 230V;50W
189B	1	R	HT32BK346	C'CASE HTR,STRAP ON 230V,100W: INCLUDES: ITEM 192
192	1	-	07DA500011	> BRACKET(CARTRIDGE)
197	1	-	30HR0701071	SOLID MOUNT SPACER PACKAGE
198	1	-	06DA900072	OIL EQUALIZATION PKG (R'PLC GLASS): INCLUDES: ITEMS 199-200
199	1	-	30HH401051	> ADAPTER (1 1/8 ODS)
200	1	-	5F201631	> GASKET
201	1	-	06DA605594	MUFFLER
202	1	-	06EA660096	MOUNTING PLATE KIT
203	1	-	06DA660056	SUSPENSION KIT: INCLUDES: ITEMS 204-210
204	4	-	50K41231	> SPRING,MOUNTING
205	4	-	50K41221	> RETAINING,SPRING
206	4	-	AT61JA241	> NUT,LOCK
207	4	-	6D732241	> SNUBBER
208	4	-	6D732251	> CUP,SNUBBER
209	4	-	NSS	> STUD
210	8	-	NSS	> NUT,FLANGED
211	1	-	06DA660089	CAPACITY CONTROL ACCY (ELECT SCOU): INCLUDES: ITEMS 212-224 & 239-241A
212	1	-	NSS	> CYLINDER HEAD ASSEMBLY: INCLUDES: ITEMS 213-224
213	1	-	06DA504614	> > CYLINDER HEAD
214	1	-	06DA503073	> > PISTON
215	1	R	06EA501253	> > GASKET,UNLOADER VALVE
216	1	-	06DA502963	> > VALVE BODY
217	1	-	06DA502953	> > SPRING,COMPRESSION
218	1	-	06DA502973	> > COVER,VALVE
219	1	-	06DA502983	> > GASKET,VALVE COVER
220	1	-	06DA405264	> > VALVE BODY ASSY(LESS COIL)
221	1	R	6D75601	> > STRAINER
222	7	-	AB44AA168	> > SCREW,SOCKET HEAD
223	3	-	AU52YA171	> > GASKET,SOCKET HD SCR
224	1	-	06DA503083	> > RING,SEAL

Itm#	Qty	Rec	Part Number	Description
225	1	-	06DA660090	CAPACITY CONTROL ACCY (PRESS SCOU): INCLUDES: ITEMS 226-241A
226	1	-	NSS	CYLINDER HEAD ASSEMBLY: INCLUDES: ITEMS 227-238
227	1	-	06DA504614	> CYLINDER HEAD
228	7	-	06DA503073	> PISTON
229	1	R	06EA501253	> GASKET,UNLOADER VALVE
230	1	-	06DA502963	> VALVE BODY
231	1	-	06DA502953	> COMPRESSION SPRING
232	1	-	06DA502973	> VALVE COVER
233	1	R	06DA502983	> GASKET,VALVE COVER
234	1	-	06DA404294	> VALVE BODY ASSY (PRESS)
235	1	R	6D75601	> STRAINER
236	7	-	AB44AA168	> SOCKET HD SCREW
237	3	-	AU51YA171	> GASKET,SOC HD SCREW
238	1	-	06DA503083	> RING SEAL
239	1	R	05GA502223	GASKET,CYLINDER HEAD
240	8	-	AA06GR239	CYLINDER HEAD BOLTS
241	2	-	NSS	STUDS,CYL HEAD FAN MTG
241A	1	R	05DA500153	GASKET,VALVE PLATE
242	1	R	EF19ZE024	ALCO VALVE COIL: 24-1-50/60
242A	1	R	EF19ZE120	ALCO VALVE COIL; 120-1-50/60
242B	1	R	EF19ZE240	ALCO VALVE COIL; 208/230-1-50/60: NOTE: ALCO VALVES CAN BE IDENTIFIED BY A SNAP CAP WHICH HOLDS COIL ON.
243	1	-	06EA660135	CCA VALVE COIL; 208/240-1-50/60
243A	1	-	06EA660135	CCA VALVE COIL; 120-1-50/60: NOTE: CCA (SINGER) VALVES CAN BE IDENTIFIED BY A HEX NUT TO HOLD COIL.
244	1	-	06EA660100	CAPACITY CONTROL VALVE PKG (PRESS): INCLUDES: ITEMS 245-250
245	1	-	NSS	> VALVE BODY ASSY (PRESS)
246	1	-	NSS	> PISTON ASSY(NOT FOR SCOU)
247	1	R	06EA501253	> GASKET,UNLOADER
248	1	-	06EA680036	> WRENCH,ALLEN (SPECIAL)
249	3	-	AB44AA168	> SCREW,SOCKET HD.
250	3	-	AU52YA171	> GASKET,SOCKET HEAD SCREW
251	1	-	06EA660135	CAPACITY CONTROL VALVE PKG (ELEC): INCLUDES: ITEMS 252-256
252	1	-	06DA405264	> VALVE BODY ASSY (LESS COIL)
253	1	R	06EA501253	> GASKET,UNLOADER
254	1	-	NSS	> PISTON
255	3	-	AB44AA168	> SCREW,SOCKET HEAD
256	3	-	AU52YA171	> GASKET,SOCKET HEAD SCREW
261	1	-	06DA660111	CONTROL VALVE REWORK KIT (SCOU): INCLUDES: ITEMS 262-268
262	1	-	06DA503072	> PISTON
263	1	R	06EA501253	> GASKET,UNLOADER VALVE
264	1	-	06DA502963	> VALVE BODY
265	1	-	06DA502953	> SPRING,COMPRESSION
266	1	R	06DA502983	> GASKET,VALVE COVER
267	1	R	6D75601	> STRAINER
268	1	-	06DA503083	> RING,PISTON
269	1	-	06DA660112	BLOCKING KIT (SCOU TO UNLOADED): INCLUDES: ITEMS 270-274
270	1	R	06EA501253	> GASKET,UNLOADER VALVE
271	1	-	06DA502993	> SLEEVE,BLOCKING
272	1	-	06DA501032	> PLATE,COVER
273	3	-	AB44AA170	> SCREW,SOCKET CAP
274	3	-	AU51YA171	> GASKET,SOCKET CAP SCREW
275	1	-	06DA660113	BLOCKING KIT (HGBP TO UNLOADED): INCLUDES: ITEMS 276-282
276	1	R	06EA501253	> GASKET,UNLOADER VALVE
277	1	-	06DA500061	> SPRING

Itm#	Qty	Rec	Part Number	Description
278	1	-	06DA501072	> PLUG
279	1	-	06DA500051	> SEAT RING
280	1	-	06DA501032	> PLATE,COVER
281	3	-	AB44AA170	> SCREW,SOC HD CAP
282	3	-	AU52YA171	> GASKET,SOC CAP SCREW
283	1	-	06DA660115	0PSS TRANSDUCER KIT(OIL PRESS SFTY SW): INCLUDES: ITEMS 284 - 296
284	1	-	06DA660114	> HARDWARE KIT: INCLUDES: ITEMS 285 - 293
285	1	-	06EA680078	> > MOUNTING BLOCK
286	1	-	06DA680063	> > GASKET,MOUNTING BLOCK (FIBER)
286A	1	-	06DA504473	> > GASKET,MOUNTING BLOCK (METAL)
287	4	-	NSS	> > SCREW,ALLEN HEAD
288	2	-	CA63AA051	> > PIPE PLUG 1/4"
289	1	-	CA63AA001	> > PIPE PLUG 1/8"
290	1	-	DD07UA051	> > COUPLING, HALF UNION
291	1	-	DD07DA053	> > COUPLING, HALF UNION
292	1	-	NSS	> > SCREW,SET
293	1	-	KLE-SL4	> > ALLEN WRENCH 1/16"
294	1	-	06DA403713	> SENSOR & CONTROL
295	1	-	NSS	> TUBE ASSY
296	1	-	DD10CA053	> ELBOW. HALF UNION