



SERVICE MANUAL

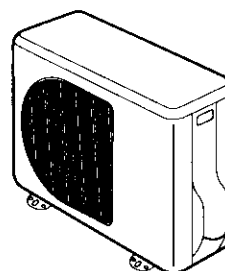
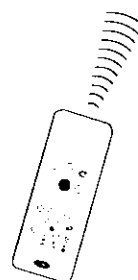
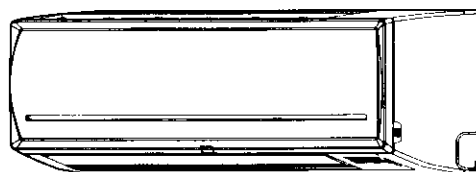
AIR-CONDITIONER SPLIT TYPE

Indoor Unit
<High Wall, Heat Pump Type>

42NQV025H
42NQV035H
42NQV035M
42NQV045H
42NQV045M

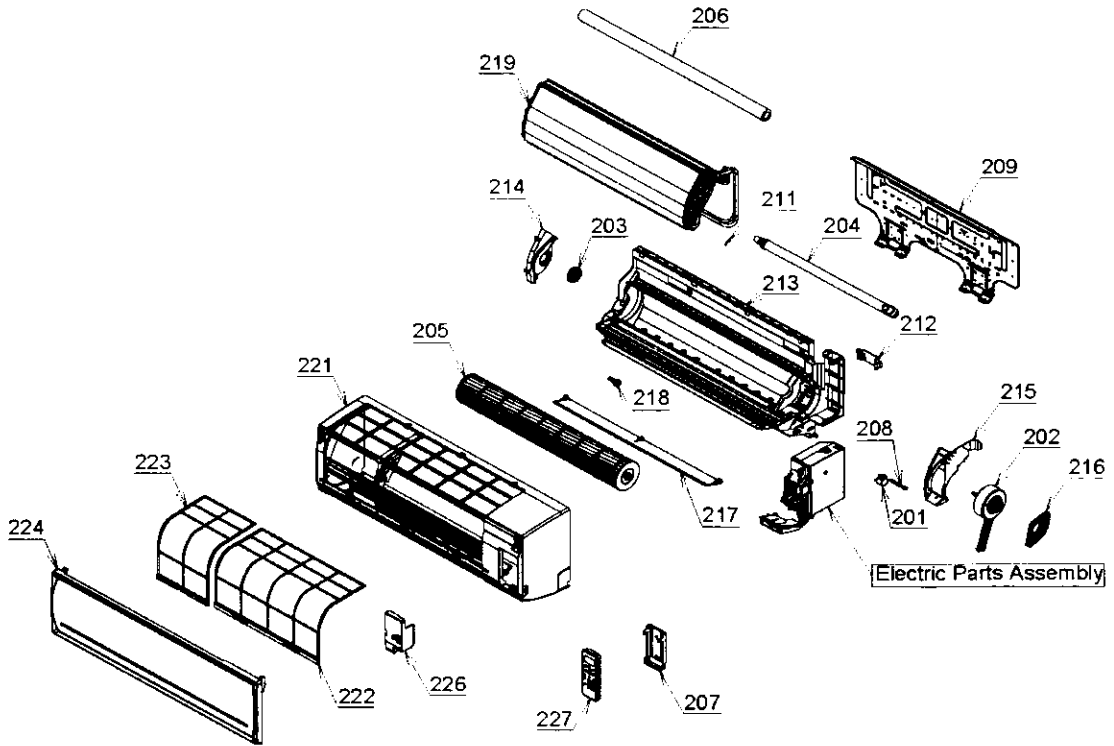
Outdoor Unit
<Heat Pump Type>

38NYV025H
38NYV035H
38NYV035M
38NYV045H
38NYV045M



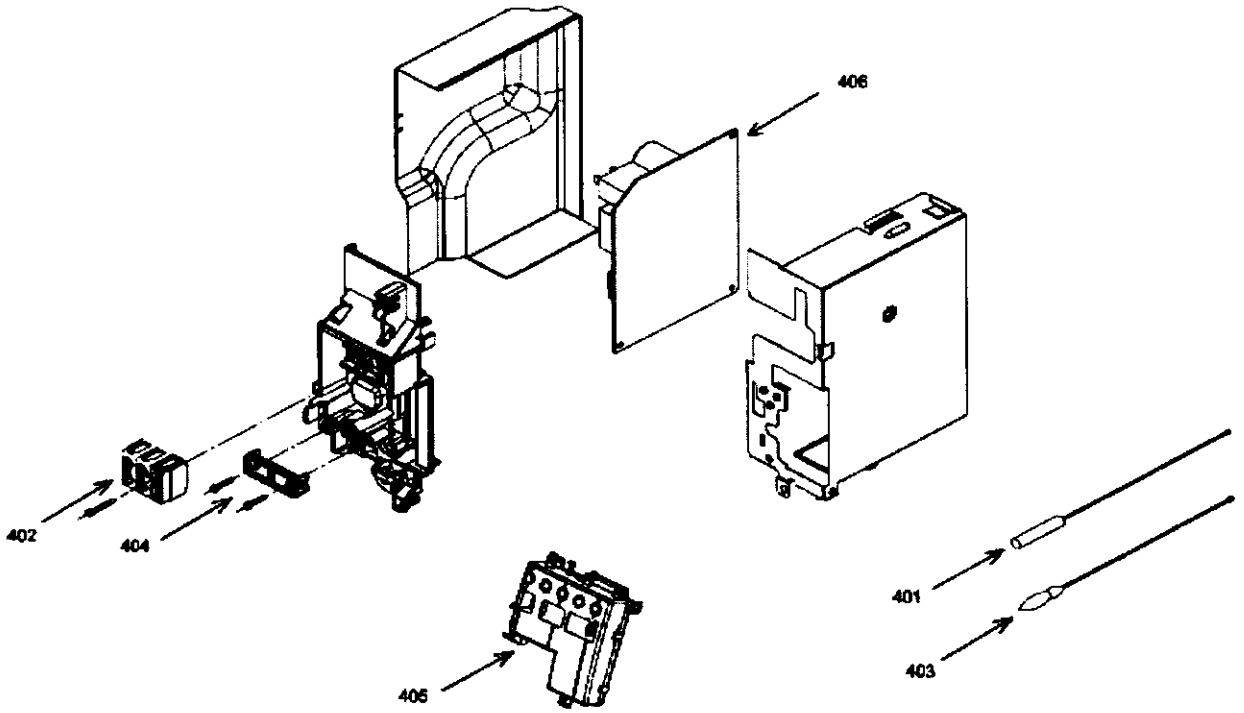
13. EXPLODED VIEWS AND PARTS LIST

13-1. Indoor Unit (1)



Location No.	Part No.	Description	Location No.	Part No.	Description
201	43T21397	LOUVER MOTOR	221	43T00491	PANEL SERVICE ASSEMBLY (42NQV035H),(42NQV025H), (42NQV045H)
202	43T21399	FAN MOTOR ASSEMBLY(42NQV035H) (42NQV035M),(42NQV025H)	221	43T00490	PANEL SERVICE ASSEMBLY (42NQV045M),(42NQV035M)
202	43T21371	FAN MOTOR(42NQV045H,42NQV045M)	222	43T80321	AIR FILTER (R)
203	43T22312	MOLD BEARING ASSEMBLY	223	43T80322	AIR FILTER (L)
204	43T70313	DRAIN HOSE	224	43T09412	GRILLE OF AIR INLET (ORIGINAL, SILVER)(42NQV035H) (42NQV025H),(42NQV045H)
205	43T20325	CROSS FLOW FAN ASSEMBLY	224	43T09413	GRILLE OF AIR INLET (ORIGINAL, WHITE)(42NQV045M),(42NQV035M)
206	43T11301	PIPE SHIELD(42NQV035H) (42NQV035M),(42NQV025H)	224	43T09414	GRILLE OF AIR INLET (OPTIONAL, WHITE)(42NQV035H) (42NQV025H),(42NQV045H)
206	43T11320	PIPE SHIELD(42NQV045H), (42NQV045M)	224	43T09415	GRILLE OF AIR INLET (OPTIONAL, SILVER)(42NQV035M)
207	43T83003	REMOTE CONTROL HOLDER	226	43T62328	TERMINAL COVER
208	43T60382	MOTOR CORD	227	43T69649	WIRELESS REMOTE CONTROL(42NQV035H)
209	43T82310	INSTALLATION PLATE	227	43T69618	WIRELESS REMOTE CONTROL (42NQV035M),(42NQV045M)
211	43T19333	SENSOR FIX PLATE	227	43T69649	WIRELESS REMOTE CONTROL (42NQV025H),(42NQV045H)
212	43T09408	PIPE HOLDER			
213	43T03360	BACK BODY ASSEMBLY			
214	43T39327	BEARING BASE			
215	43T39328	MOTOR BAND (LEFT)			
216	43T39329	MOTOR BAND (RIGHT)			
217	43T09409	HORIZONTAL LOUVER			
218	43T79313	DRAIN CAP			
219	43T44402	REFRIGERANT CYCLE ASSEMBLY (42NQV035H),(42NQV035M), (42NQV025H)			
219	43T44403	REFRIGERANT CYCLE ASSEMBLY (42NQV045H),(42NQV045M)			

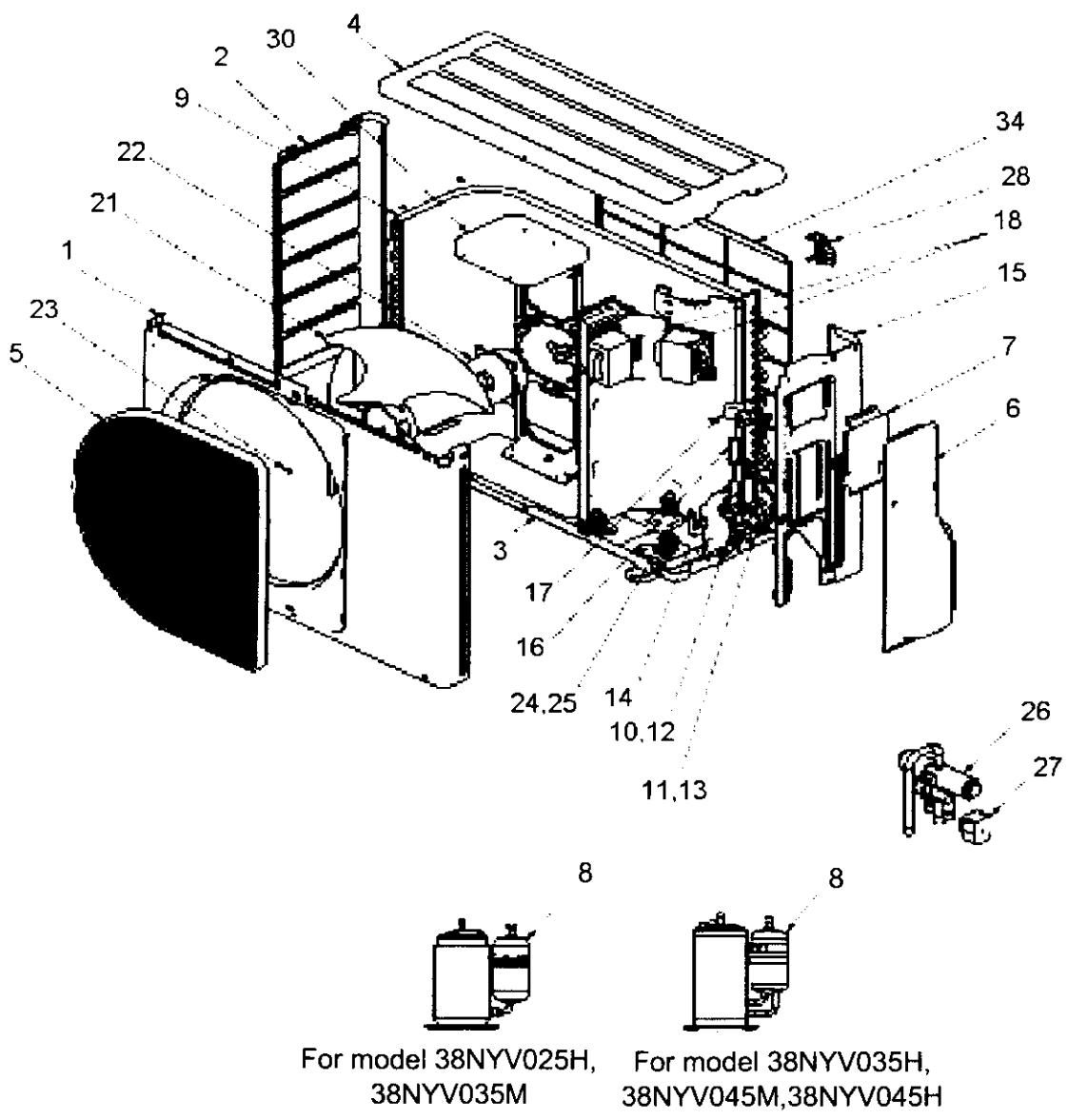
13-2. Indoor Unit (E-Parts Assy)



Location No.	Part No.	Description
401	43T69319	TC SENSOR
402	43T60002	TERMINAL BLOCK; 3P
403	43T50318	TEMPERATURE SENSOR
404	43T62003	CORD CLAMP
405	43T69634	PC BOARD ASSY,WRS-LED (42NQV025H),(42NQV035H), (42NQV045H)

Location No.	Part No.	Description
405	43T69633	PC BOARD ASSY,WRS-LED (42NQV035M),(42NQV045M)
406	43T69635	PC BOARD(42NQV045M)
406	43T69636	PC BOARD(42NQV045H)
406	43T69637	PC BOARD(42NQV035M)
406	43T69638	PC BOARD(42NQV025H)
406	43T69639	PC BOARD(42NQV035H)

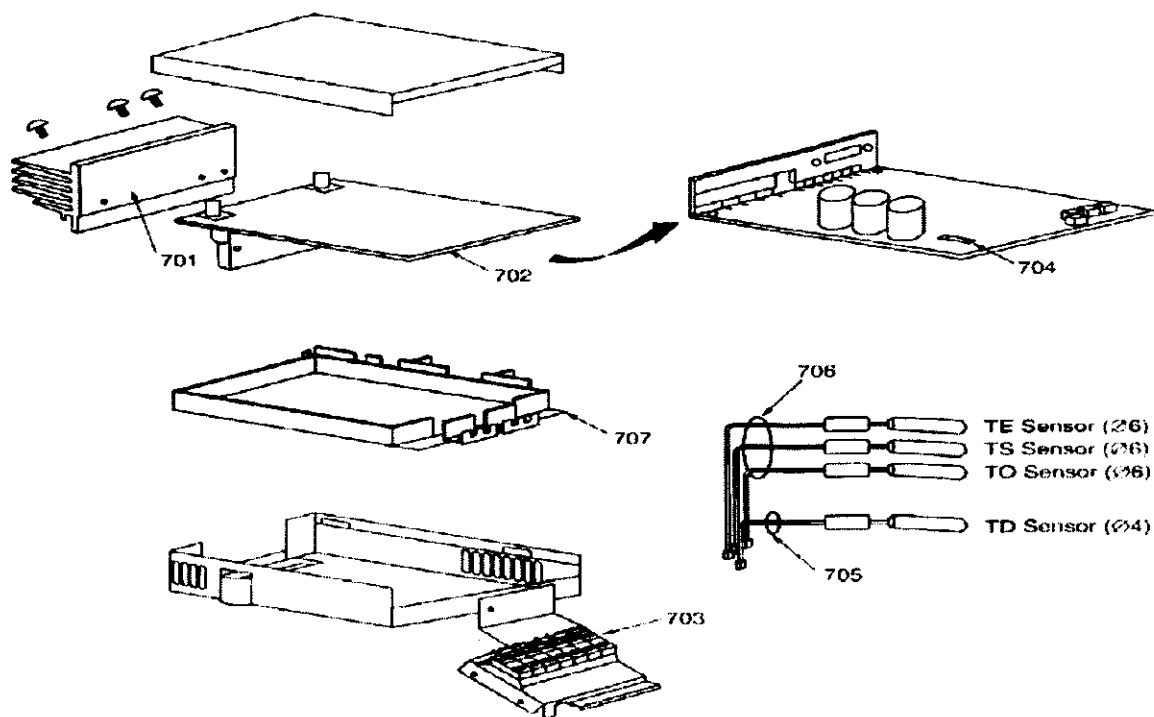
13-3. Outdoor Unit



- 19 : BIMETAL THERMO
- 29 : DRAIN NIPPLE
- 31 : HOLDER,SENSOR(TE) (FOR PIPE O.D. Ø 6.35)
- 32 : HOLDER,SENSOR(TD) (FOR PIPE O.D. Ø 8.0)
- 33 : HOLDER,SENSOR(TS) (FOR PIPE O.D. Ø 9.52)

Location No.	Part No.	Description	Location No.	Part No.	Description
1	43T00468	FRONT CABINET	13	43T47333	BONNET, 12.70 DIA(38NYV045H, 38NYV045M)
2	43T00459	LEFT CABINET	14	43T00448	FIXING PLATE VALVE
3	43T42336	ASM-BASE	15	43T00451	RIGHT CABINET ASSEMBLY
4	43T00452	UPPER CABINET	16	43T46342	BODY-PMV
5	43T19332	FAN GUARD	17	43T63314	COIL-PMV
6	43T19330	PACKED VALVE COVER	18	43T58306	REACTOR
7	43T62325	ELECTRIC PART COVER	19	43T50316	BIMETAL THERMO
8	43T41358	COMPRESSOR(Made in China) (38NYV025H,38NYV035M)	21	43T20319	PROPELLER FAN
8	43T41401	COMPRESSOR(38NYV035H, 38NYV045H,38NYV045M)	22	43T21375	FAN-MOTOR
9	43T43410	CONDENSER ASSEMBLY (38NYV025H,38NYV035M)	23	43T47001	NUT FLANGE
9	43T43411	CONDENSER ASSEMBLY (38NYV035H,38NYV045M)	24	43T47354	BOLT COMPRESSOR (M6)
9	43T43412	CONDENSER ASSEMBLY (38NYV045H)	25	43T49335	RUBBER CUSHION
10	43T46332	VALVE;PACKED 6.35 DIA	26	43T46343	4 WAY VALVE
11	43T46331	VALVE;PACKED 9.52 DIA (38NYV025H,38NYV035H,38NYV035M)	27	43T63315	4WAY VALVE COIL ASSEMBLY
11	43T46335	VALVE;PACKED 12.7 DIA (H4) (38NYV045H,38NYV045M)	28	43T63319	HOLDER,SENSOR
12	43T47331	BONNET, 6.35 DIA	29	43T79305	DRAIN NIPPLE
13	43T47332	BONNET, 9.52 DIA(38NYV025H, .38NYV035H,38NYV035M)	30	43T39317	MOTOR BASE CONNECTION PLATE
			31	43T63318	HOLDER,SENSOR
			32	43T63317	HOLDER,SENSOR
			33	43T63316	HOLDER,SENSOR
			34	43T19331	FIN GUARD

13-4. P.C. Board Layout



Location No.	Part No.	Description
701	43T62320	HEATSINK(38NYV025H, 38NYV035H,38NYV035M)
701	43T62321	HEATSINKA(38NYV045H, 38NYV045M)
702	43T69630	PC BOARD(38NYV025H)
702	43T69631	PC BOARD(38NYV035H)
702	43T69656	PC BOARD(38NYV035M)
702	43T69632	PC BOARD(38NYV045H)

Location No.	Part No.	Description
702	43T69657	PC BOARD(38NYV045M)
703	43T60384	TERMINAL BLOCK,6P
704	43T60326	FUSE
705	43T60377	TEMPERATURE SENSOR
706	43T50304	SENSOR;HEAT EXCHANGER
707	43T62313	BASE-PLATE-PC